

# Specifications

**SSR-4-IDC-05**



**MEASUREMENT  
COMPUTING™**

Document Revision 1.1, December, 2006  
© Copyright 2006, Measurement Computing Corporation

---

# Specifications

Typical for 25 °C unless otherwise specified.

## General characteristics

Table 1. General characteristics

Parameter	Conditions	Specification
Type		Quad DC input, positive common terminal
Isolation voltage		4000 Vrms
Capacitance input to output		8 pF

## Input

Table 2. Input specifications

Parameter	Conditions	Specification
Nominal input voltage		24 VDC
Input voltage range		3.3 to 32 VDC
Input resistance		1K Ohm
Drop out current		1 mA
Maximum input current	Input voltage = nominal	32 mA
Allowable off-state input current		1 mA
Allowable off-state voltage		2 VDC
Maximum turn-on time		300 $\mu$ S
Maximum turn-off time		600 $\mu$ S

## Output

Table 3. Output and logic circuit specifications

Parameter	Conditions	Specification
Nominal logic supply voltage	Vcc	5 VDC
Logic voltage range	Vcc	4.5 to 6 VDC
Typical logic supply current	Logic voltage = nominal	10 mA
Maximum logic supply current	Logic voltage = maximum	14.5 mA
Maximum logic supply leakage current	Logic voltage = maximum	20 $\mu$ A
Maximum output voltage		30 VDC
Maximum output current		50 mA
Maximum output leakage current	Logic voltage = maximum	20 $\mu$ A
Maximum output voltage drop	Maximum output current	200 mV

## Environmental

Table 4. Environmental specifications

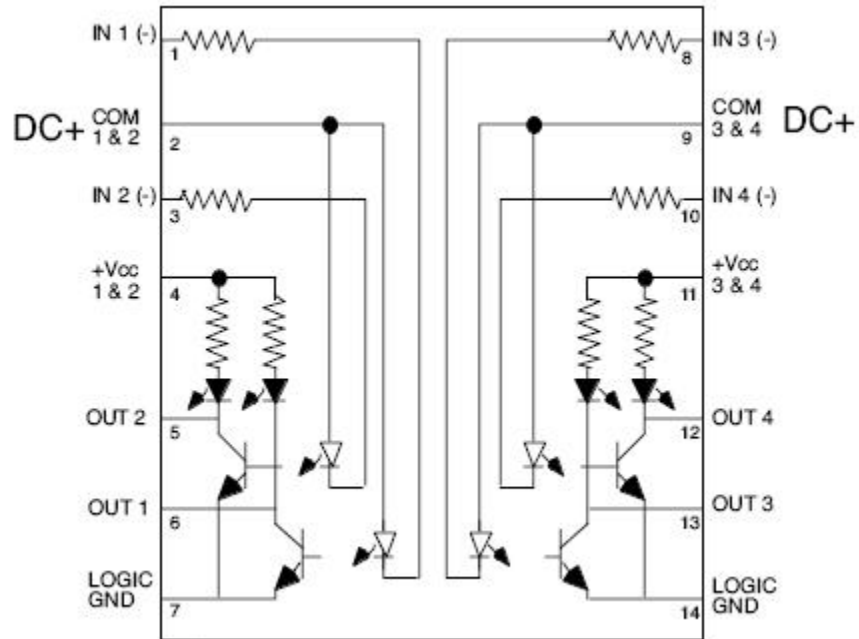
Operating temperature range	-30 to 80 °C
Storage temperature range	-40 to 100 °C

## Mechanical

Table 5. Mechanical specifications

Dimensions	1.88" (47.7mm) L x 1.06" (26.9 mm) W x 3.08" (78.2 mm) H
------------	--

## Block diagram and pin out



**Measurement Computing Corporation**  
**10 Commerce Way**  
**Suite 1008**  
**Norton, Massachusetts 02766**  
**(508) 946-5100**  
**Fax: (508) 946-9500**  
**E-mail: [info@mccdaq.com](mailto:info@mccdaq.com)**  
**[www.mccdaq.com](http://www.mccdaq.com)**