

Specifications

SSR-4-OAC-05



**MEASUREMENT
COMPUTING™**

Document Revision 1.1, December, 2006
© Copyright 2006, Measurement Computing Corporation

Specifications

Typical for 25 °C unless otherwise specified.

General characteristics

Table 1. General characteristics

| Parameter | Conditions | Specification |
|-----------------------------|------------|----------------|
| Type | | Quad AC output |
| Isolation voltage | | 4000 Vrms |
| Capacitance input to output | | 8 pF |
| Line frequency range | | 47 to 63 Hz |

Output

Table 2. Load and line specifications

| Parameter | Conditions | Specification |
|--------------------------------|------------|-----------------|
| Nominal line voltage | | 120 VAC |
| Load voltage range | | 12 to 140 VAC |
| Maximum peak off-state voltage | | 400 V |
| Maximum off-state leakage | | 2.5 mA rms |
| Static off-state (dv/dt) | | 200 V/ μ s |
| On-state current range | | 0.05 to 3 A rms |
| Maximum surge current | One cycle | 100 A peak |
| Peak on-state voltage | | 1.6 V peak |
| Response time | | 0.5 cycle |

Input

Table 3. Input and logic circuit specifications

| Parameter | Conditions | Specification |
|--------------------------|------------|---------------|
| Nominal input voltage | Vcc | 5 VDC |
| Input voltage range | Vcc | 4 to 6 VDC |
| Minimum drop out voltage | | 1 VDC |
| Maximum input current | | 15 mA |
| Typical input current | | 10 mA |
| Nominal input resistance | | 240 Ohms |

Environmental

Table 4. Environmental specifications

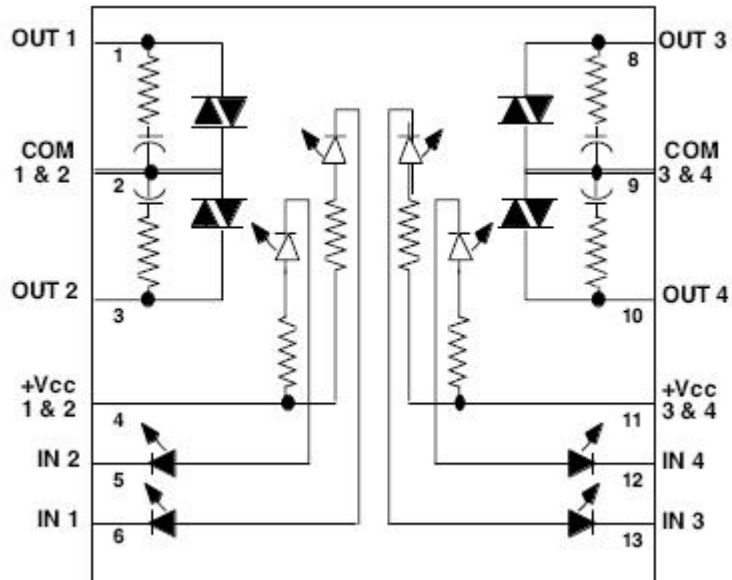
| | |
|-----------------------------|---------------|
| Operating temperature range | -30 to 80 °C |
| Storage temperature range | -40 to 100 °C |

Mechanical

Table 5. Mechanical specifications

| | |
|------------|---|
| Dimensions | 1.7" (43.2 mm) L x 0.6" (15.2 mm) W x 1.25" (31.8 mm) H |
|------------|---|

Block diagram and pin out



Measurement Computing Corporation
10 Commerce Way
Suite 1008
Norton, Massachusetts 02766
(508) 946-5100
Fax: (508) 946-9500
E-mail: info@mccdaq.com
www.mccdaq.com