

Specifications

SSR-ODC-05A



**MEASUREMENT
COMPUTING™**

Document Revision 1.1, December, 2006
© Copyright 2006, Measurement Computing Corporation

Specifications

Typical for 25 °C unless otherwise specified.

General characteristics

Table 1. General characteristics

Parameter	Conditions	Specification
Type		SPST normally open
Isolation voltage		4000 Vrms
Typical power dissipation		1.5 W/A

Output

Table 2. Load and line specifications

Parameter	Conditions	Specification
Maximum line voltage		200 VDC
Load voltage range		4 to 200 VDC
Clamping voltage		360 VDC
Maximum off-state leakage	Maximum line voltage	0.01 mA
Load current range		0.02 to 1 A
Maximum surge current	One second	5 A
Maximum turn-on time		75 μ s
Maximum turn-off time		750 μ s

Input

Table 3. Input and logic circuit specifications

Parameter	Conditions	Specification
Nominal logic voltage	DC control	5 VDC
Logic voltage range		2.5 to 9 VDC
Maximum logic supply current	Logic voltage = nominal	18 mA
Nominal input resistance (Rx)		220 Ohms
Minimum drop out voltage		1 VDC
Maximum reverse logic voltage		-5 VDC

Environmental

Table 4. Environmental specifications

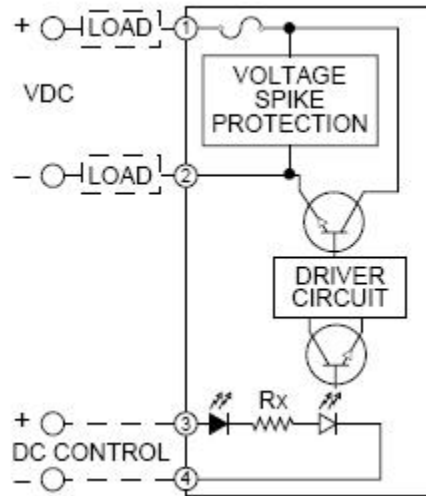
Operating temperature range	-40 to 100 °C
Storage temperature range	-40 to 125 °C
Mechanical shock	MIL-STD-202
Vibration	MIL-STD-202

Mechanical

Table 5. Mechanical specifications

Dimensions	1.7" (43.2 mm) L x 0.6" (15.2 mm) W x 1.25" (31.8 mm) H
------------	---

Block diagram and pin out



Measurement Computing Corporation
10 Commerce Way
Suite 1008
Norton, Massachusetts 02766
(508) 946-5100
Fax: (508) 946-9500
E-mail: info@mccdaq.com
www.mccdaq.com