

# USB-1408FS-Plus-OEM

Analog and Digital I/O

## User's Guide

## Trademark and Copyright Information

Measurement Computing Corporation, InstaCal, Universal Library, and the Measurement Computing logo are either trademarks or registered trademarks of Measurement Computing Corporation. Refer to the Copyrights & Trademarks section on [mccdaq.com/legal](http://mccdaq.com/legal) for more information about Measurement Computing trademarks. Other product and company names mentioned herein are trademarks or trade names of their respective companies.

© 2015 Measurement Computing Corporation. All rights reserved. No part of this publication may be reproduced, stored in a retrieval system, or transmitted, in any form by any means, electronic, mechanical, by photocopying, recording, or otherwise without the prior written permission of Measurement Computing Corporation.

### Notice

Measurement Computing Corporation does not authorize any Measurement Computing Corporation product for use in life support systems and/or devices without prior written consent from Measurement Computing Corporation. Life support devices/systems are devices or systems that, a) are intended for surgical implantation into the body, or b) support or sustain life and whose failure to perform can be reasonably expected to result in injury. Measurement Computing Corporation products are not designed with the components required, and are not subject to the testing required to ensure a level of reliability suitable for the treatment and diagnosis of people.

---

# Table of Contents

<b>Preface</b>	
<b>About this User's Guide .....</b>	<b>5</b>
What you will learn from this user's guide .....	5
Conventions in this user's guide .....	5
Where to find more information .....	5
<b>Chapter 1</b>	
<b>Introducing the USB-1408FS-Plus-OEM .....</b>	<b>6</b>
Functional block diagram .....	6
<b>Chapter 2</b>	
<b>Installing the USB-1408FS-Plus-OEM .....</b>	<b>7</b>
Unpacking.....	7
Downloading the software.....	7
Installing the hardware .....	7
Installing on a Windows platform.....	7
Calibrating the hardware.....	7
<b>Chapter 3</b>	
<b>Functional Details .....</b>	<b>8</b>
Analog input acquisition modes .....	8
Software paced.....	8
Hardware paced .....	8
Board components .....	9
USB connector.....	9
LED .....	9
Header connectors.....	9
Differential mode pinout.....	10
Single-ended mode pinout .....	10
Signal connections.....	11
Analog input .....	11
Analog output .....	13
Digital I/O.....	14
Counter input .....	15
External trigger input.....	15
SYNC I/O .....	15
Power output.....	15
Ground.....	15
Accuracy.....	15
Synchronized operations.....	17
Power.....	18
Mechanical drawings.....	18
<b>Chapter 4</b>	
<b>Specifications .....</b>	<b>19</b>
Analog input .....	19
Accuracy .....	20
Noise performance.....	20
Analog output .....	20
Digital input/output.....	21
External trigger .....	22
External clock input/output.....	22
Counter .....	23

Memory .....	23
Microcontroller .....	23
Power .....	23
General .....	24
Environmental .....	24
Mechanical .....	24
Header connector .....	24
Differential mode .....	25
Single-ended mode .....	25

---

## About this User's Guide

### What you will learn from this user's guide

This user's guide describes the Measurement Computing USB-1408FS-Plus-OEM data acquisition device and lists device specifications.

### Conventions in this user's guide

**For more information**

Text presented in a box signifies additional information and helpful hints related to the subject matter.

**Caution!** Shaded caution statements present information to help you avoid injuring yourself and others, damaging your hardware, or losing your data.

**bold text**     **Bold** text is used for the names of objects on a screen, such as buttons, text boxes, and check boxes.

*italic text*     *Italic* text is used for the names of manuals and help topic titles, and to emphasize a word or phrase.

### Where to find more information

Additional information about USB-1408FS-Plus-OEM hardware is available on our website at [www.mccdaq.com](http://www.mccdaq.com). You can also contact Measurement Computing Corporation with specific questions.

- Knowledgebase: [kb.mccdaq.com](http://kb.mccdaq.com)
- Tech support form: [www.mccdaq.com/support/support\\_form.aspx](http://www.mccdaq.com/support/support_form.aspx)
- Email: [techsupport@mccdaq.com](mailto:techsupport@mccdaq.com)
- Phone: 508-946-5100 and follow the instructions for reaching Tech Support

For international customers, contact your local distributor. Refer to the International Distributors section on our website at [www.mccdaq.com/International](http://www.mccdaq.com/International).

## Introducing the USB-1408FS-Plus-OEM

The USB-1408FS-Plus-OEM is a USB 2.0 full-speed analog input and digital I/O data acquisition device that provides the following features:

- Eight analog input channels that are software-selectable for either eight 13-bit single-ended inputs or four 14-bit differential inputs
- Two 12-bit analog output channels
- 16 digital I/O channels that are independently-selectable as input or output in two 8-bit ports
- 32-bit event counter input for counting TTL pulses
- External digital trigger input
- Bidirectional external clock for synchronous operation with more than one device.
- Two header connectors for field wiring connections

The USB-1408FS-Plus-OEM device is compatible with both USB 1.1 and USB 2.0 ports. The speed of the device may be limited when using a USB 1.1 port due to the difference in transfer rates on the USB 1.1 versions of the protocol (low-speed and full-speed).

The device is powered by the +5 V USB supply from the computer. No external power is required.

**Caution!** There are no product safety, electromagnetic compatibility (EMC), or CE marking compliance claims made for the USB-1408FS-Plus-OEM. The USB-1408FS-Plus-OEM is intended for use as a component of a larger system. MCC can help developers meet their compliance requirements. The end product supplier, however, is responsible for conforming to any and all compliance requirements.

### Functional block diagram

Device functions are illustrated in the block diagram shown here.

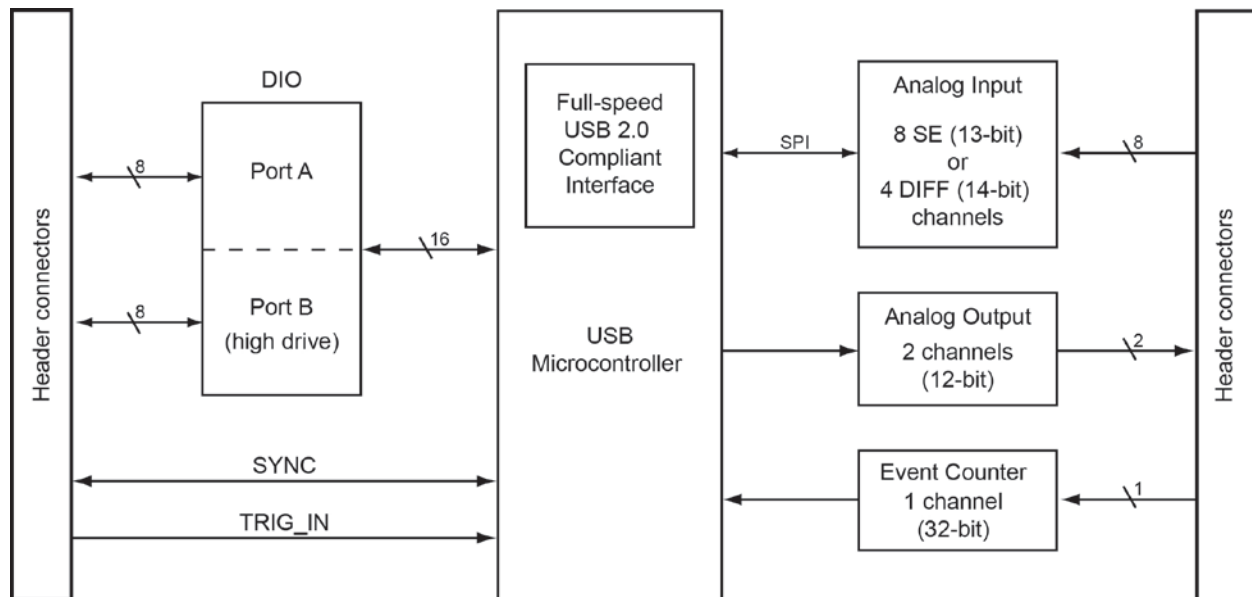


Figure 1. USB-1408FS-Plus-OEM functional block diagram

---

# Installing the USB-1408FS-Plus-OEM

## Unpacking

As with any electronic device, you should take care while handling to avoid damage from static electricity. Before removing the board from its packaging, ground yourself using a wrist strap or by simply touching the computer chassis or other grounded object to eliminate any stored static charge.

## Downloading the software

Refer to the USB-1408FS-Plus-OEM product page on the Measurement Computing website for information about the supported software you can download.

**Install the software before you install the hardware**

The driver needed to run the device is installed when you install the software. Therefore, you need to install the software package you plan to use before you install the hardware.

## Installing the hardware

### Installing on a Windows platform

Connect the USB-1408FS-Plus-OEM to a to an available USB port on the computer running Windows, connect the USB cable to an available USB port on the computer or to an external USB hub connected to the computer. Connect the other end of the cable to the USB connector on the device. No external power is required.

When connected for the first time, a **Found New Hardware** dialog opens when the operating system detects the device. When the dialog closes, the installation is complete. The device LED turns on after the device is successfully installed.

**If the LED turns off**

If communication is lost between the device and the computer, the LED turns off. To restore communication, disconnect the USB cable from the computer and then reconnect it. This should restore communication, and the LED should turn on.

## Calibrating the hardware

The Measurement Computing Manufacturing Test department performs the initial factory calibration. Return the device to Measurement Computing Corporation when calibration is required. The recommended calibration interval is one year.

The USB-1408FS-Plus-OEM does not support field calibration.

---

## Functional Details

### Analog input acquisition modes

The USB-1408FS-Plus-OEM can acquire analog input data in either software paced or hardware paced mode.

#### Software paced

The USB-1408FS-Plus-OEM acquires data one analog sample at a time using software paced mode. You initiate the A/D conversion by calling a software command. The analog value is converted to digital and returned to the computer. You can repeat this procedure until you have the total number of samples that you want.

The maximum sample rate in software-paced mode is system-dependent.

#### Hardware paced

The USB-1408FS-Plus-OEM can acquire data from up to eight channels using hardware-paced mode. The analog data is acquired and converted to digital values until you stop the scan. Data is transferred in blocks of 32 samples from the device to the memory buffer on your computer.

The A/D converter is paced by either an internal or external clock source.

The maximum sample rate is an aggregate rate. The total sample rate for all channels cannot exceed 50 kS/s. The following table lists the sample rate when scanning from one to eight channels.

Maximum per channel sample rate

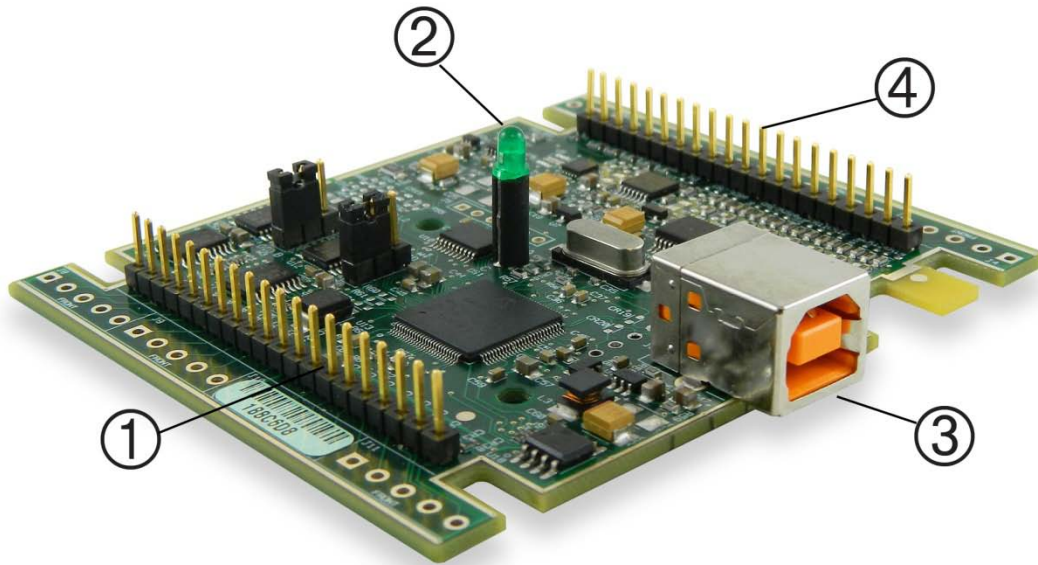
# channels scanned	Sample rate (kS/s)
1	48
2	24
3	16
4	12
5	9.60
6	8
7	6.85
8	6

You can start a hardware-paced scan with a software command. Optionally, hardware-paced scans can be delayed by an external hardware trigger event.



## Board components

The board components – header connectors, LED, and USB connector – are shown in Figure 2.



- |   |                                |   |                               |
|---|--------------------------------|---|-------------------------------|
| 1 | Header connector pins 21 to 40 | 3 | USB connector                 |
| 2 | LED                            | 4 | Header connector pins 1 to 20 |

Figure 2. Board components

### USB connector

Receives the supplied USB cable. When connected to a computer or USB hub, the cable provides power and communication. No external power supply is required.

### LED

The following table lists the behavior of the device LED.

LED state	Indication
Steady green	The device is connected to a computer or external USB hub.
Blinks continuously	Data is being transferred.

### Header connectors

The header connectors provide the following connections:

- Eight analog input connections (**CH0 IN** to **CH7 IN**, **CH0 IN HI/LO** through **CH3 IN HI/LO**)
- Two analog output connections (**D/A OUT 0** to **D/A OUT 1**)
- 16 digital I/O connections (**Port A0** to **Port A7**, and **Port B0** to **Port B7**)
- External trigger input (**TRIG\_IN**)
- External counter input (**CTR**)
- Bidirectional terminal for external clocking or multi-unit synchronization (**SYNC**)
- Power output (**+VO**)
- Analog ground (**AGND**) and ground (**GND**)

The differential and single-ended mode pinouts are shown in the following tables.

## Differential mode pinout

Four-channel differential mode pinout

Pin	Signal name	Pin description	Pin	Signal name	Pin description
1	CH0 IN HI	Analog input 0+	21	Port A0	Port A bit 0
2	CH0 IN LO	Analog input 0-	22	Port A1	Port A bit 1
3	AGND	Analog ground	23	Port A2	Port A bit 2
4	CH1 IN HI	Analog input 1+	24	Port A3	Port A bit 3
5	CH1 IN LO	Analog input 1-	25	Port A4	Port A bit 4
6	AGND	Analog ground	26	Port A5	Port A bit 5
7	CH2 IN HI	Analog input 2+	27	Port A6	Port A bit 6
8	CH2 IN LO	Analog input 2-	28	Port A7	Port A bit 7
9	AGND	Analog ground	29	GND	Ground
10	CH3 IN HI	Analog input 3+	30	+VO	Power output
11	CH3 IN LO	Analog input 3-	31	GND	Ground
12	AGND	Analog ground	32	Port B0	Port B bit 0
13	D/A OUT 0	Analog output 0	33	Port B1	Port B bit 1
14	D/A OUT 1	Analog output 1	34	Port B2	Port B bit 2
15	AGND	Analog ground	35	Port B3	Port B bit 3
16	Reserved	Reserved for future use	36	Port B4	Port B bit 4
17	GND	Ground	37	Port B5	Port B bit 5
18	TRIG_IN	Trigger input	38	Port B6	Port B bit 6
19	SYNC	Synchronization I/O	39	Port B7	Port B bit 7
20	CTR	Counter input	40	GND	Ground
<b>USB connector</b>					

## Single-ended mode pinout

Eight-channel single-ended mode pinout

Pin	Signal name	Pin description	Pin	Signal name	Pin description
1	CH0 IN	Analog input 0	21	Port A0	Port A bit 0
2	CH1 IN	Analog input 1	22	Port A1	Port A bit 1
3	AGND	Analog ground	23	Port A2	Port A bit 2
4	CH2 IN	Analog input 2	24	Port A3	Port A bit 3
5	CH3 IN	Analog input 3	25	Port A4	Port A bit 4
6	AGND	Analog ground	26	Port A5	Port A bit 5
7	CH4 IN	Analog input 4	27	Port A6	Port A bit 6
8	CH5 IN	Analog input 5	28	Port A7	Port A bit 7
9	AGND	Analog ground	29	GND	Ground
10	CH6 IN	Analog input 6	30	+VO	Power output
11	CH7 IN	Analog input 7	31	GND	Ground
12	AGND	Analog ground	32	Port B0	Port B bit 0
13	D/A OUT 0	Analog output 0	33	Port B1	Port B bit 1
14	D/A OUT 1	Analog output 1	34	Port B2	Port B bit 2
15	AGND	Analog ground	35	Port B3	Port B bit 3
16	Reserved	Reserved for future use	36	Port B4	Port B bit 4
17	GND	Ground	37	Port B5	Port B bit 5
18	TRIG_IN	Trigger input	38	Port B6	Port B bit 6
19	SYNC	Synchronization I/O	39	Port B7	Port B bit 7
20	CTR	Counter input	40	GND	Ground
<b>USB connector</b>					

## Signal connections

### Analog input

You can connect up to eight analog input connections to the header connector pins 1 to 20.

You can configure the analog input channels as eight single-ended channels (**CH0 IN** through **CH7 IN**) or four differential channels (**CH0 IN HI/LO** through **CH3 IN HI/LO**). When configured for differential mode, each analog input has 14-bit resolution. When configured for single-ended mode, each analog input has 13-bit resolution, due to restrictions imposed by the A/D converter.

### Single-ended configuration

When configured for single-ended input mode, the input signal is referenced to signal ground (GND) and delivered through two wires:

- Connect the wire carrying the signal to be measured to **CH# IN**.
- Connect the second wire to **AGND**.

The input range for single-ended mode is  $\pm 10$  V. The [Single-ended mode pinout](#) is shown in on page 10.

### Differential configuration

When configured for differential input mode, the input signal is measured with respect to the low input and delivered through three wires:

- Connect the wire carrying the signal to be measured to **CH# IN HI**.
- Connect the wire carrying the reference signal to **CH# IN LO**.
- Connect the third wire to **GND**.

The [Differential mode pinout](#) is shown in on page 10.

**Note:** To perform a single-ended measurement using differential channels, connect the signal to **CH# IN HI** and ground the associated **CH# IN LO** input.

A low-noise precision programmable gain amplifier (PGA) is available on differential channels to provide gains of up to 20 and a dynamic range of up to 12-bits. Differential mode input voltage ranges are  $\pm 20$  V,  $\pm 10$  V,  $\pm 5$  V,  $\pm 4$  V,  $\pm 2.5$  V,  $\pm 2.0$  V,  $\pm 1.25$  V, and  $\pm 1.0$  V.

In differential mode, the following two requirements must be met for linear operation:

- Any analog input must remain in the  $-10$  V to  $+20$  V range with respect to ground at all times.
- The maximum differential voltage on any given analog input pair must remain within the selected voltage range.

The input (*common-mode voltage + signal*) of the differential channel must be in the  $-10$  V to  $+20$  V range in order to yield a useful result.

For example, you input a 4 V pp sine wave to CH# IN HI, and apply the same sine wave 180° out of phase to CH# IN LO. The common mode voltage is 0 V. The differential input voltage swings from 4 V – (–4 V) = 8 V to –4 V – (4 V) = –8V. Both inputs satisfy the –10 V to +20 V input range requirement, and the differential voltage is suited for the ±10 V input range (see Figure 3).

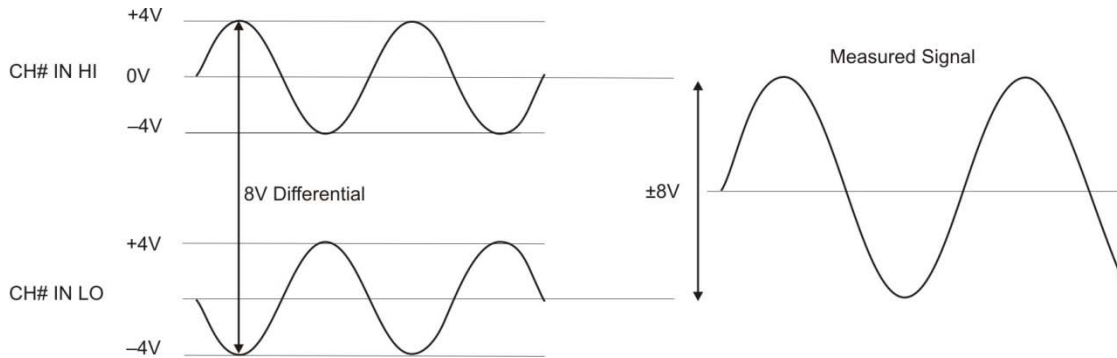


Figure 3. Differential voltage example: common mode voltage of 0 V

If you increase the common mode voltage to 11 V, the differential remains at 8 V. Although the [common-mode voltage + signal] on each input now has a range of +7 V to +15 V, both inputs still satisfy the –10 V to +20 V input requirement (see Figure 4).

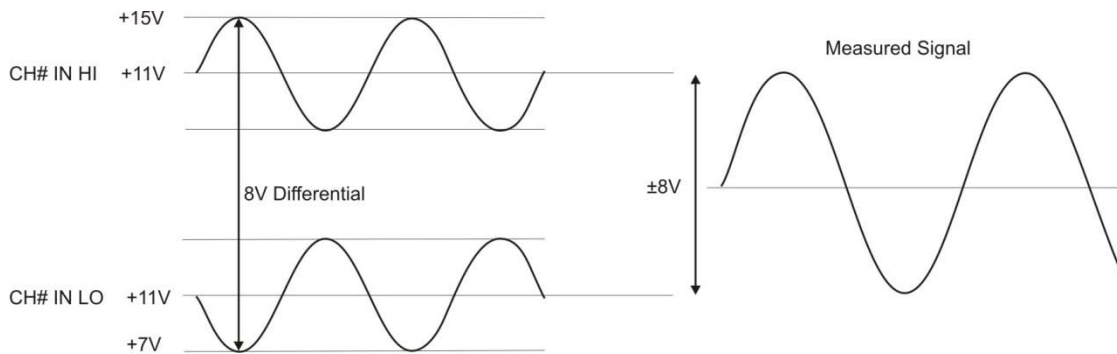


Figure 4. Differential voltage example: common mode voltage of 11 V

If you decrease the common-mode voltage to –7 V, the differential stays at 8 V. However, the solution now violates the input range condition of –10 V to +20 V. The voltage on each analog input now swings from –3 V to –11 V. Voltages between –10 V and –3 V are resolved, but those below -10 V are clipped, as shown in Figure 5.

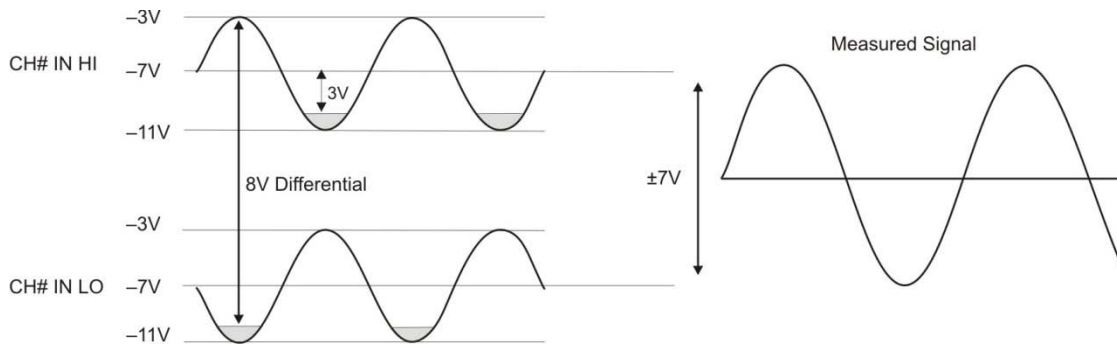


Figure 5. Differential voltage example: common mode voltage of –7 V

Since the analog inputs are restricted to a –10 V to +20 V signal swing with respect to ground, all ranges *except* ±20V can realize a linear output for any differential signal with zero common mode voltage and full scale signal inputs. The ±20 V range is the exception. You cannot put –20 V on CH# IN HI and 0 V on CH# IN LO, since this violates the input range criteria.

The table below shows some possible inputs and the expected results.

Sample inputs and differential results

CH# IN HI	CH# IN LO	Result
-20 V	0 V	Invalid
-15 V	+5 V	Invalid
-10 V	0 V	-10 V
-10 V	+10 V	-20 V
0 V	+10 V	-10 V
0 V	+20 V	-20 V
+10 V	-10 V	+20 V
+10 V	0 V	+10 V
+15 V	-5 V	+20 V
+20 V	0	+20 V

#### For more information on analog signal connections

For more information on single-ended and differential inputs, refer to the *Guide to Signal Connections* (this document is available on our web site at [www.mccdaq.com/signals/signals.pdf](http://www.mccdaq.com/signals/signals.pdf))

#### Channel-Gain queue

The channel gain queue feature allows you to set up a scan sequence with a unique per-channel gain setting and channel sequence. The settings are stored in a channel-gain queue list that is written to local memory on the device. The gain queue can contain up to eight elements in single-ended mode, and up to four elements in differential mode.

The elements must be unique and listed in ascending order. An example of a three-element list is shown in the table below.

Sample channel-gain queue list

Element	Channel	Range	Gain
0	CH0	BIP10V	2
1	CH1	BIP20V	1
2	CH3	BIP4V	5

When a scan begins with the gain queue enabled, the device reads the first element, sets the appropriate channel number, range, and gain, and then acquires a sample. The properties of the next element are then retrieved, and another sample is acquired. This sequence continues until all elements in the gain queue have been selected.

When the end of the channel list is detected, the sequence returns to the first element in the list. The sequence repeats until the specified number of samples is acquired.

Carefully match the gain to the expected voltage range on the associated channel or an over range condition may occur. Although this condition does not damage the device, it does produce a useless full-scale reading, and can introduce a long recovery time due to saturation of the input channel.

#### For more information about analog signal connections

For more information about analog input connections, refer to the *Guide to Signal Connections* (this document is available on our web site at [www.mccdaq.com/signals/signals.pdf](http://www.mccdaq.com/signals/signals.pdf)).

#### Analog output

You can connect up to two analog output connections to **D/A OUT 0** and **D/A OUT 1**. Each channel can be paced at rates up to 50,000 updates per second. The output range is 0 V to 5 V.

## Digital I/O

The device has 16 DIO channels that are configured as two 8-bit ports – Port A and Port B. Port B is high drive. You can connect up to eight DIO lines to **Port A0** to **Port A7** and up to eight DIO lines to **Port B0** to **Port B7**. You can configure each port for either input or output. The digital ports are set for input when the device is powered on or reset.

When configured for input, the digital I/O terminals can detect the state of any TTL-level. Refer to the schematic shown in Figure 6.

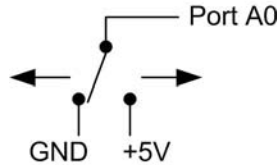


Figure 6. Schematic showing switch detection by digital channel Port A0

If you set the switch to the +5V input, Port A0 reads *TRUE* (1). When set to GND, Port A0 reads *FALSE* (0).

### Pull-up/down configuration

All digital I/O lines are pulled high to USB +5 V with a 47 k $\Omega$  resistor by default. You can change the pull-up/down configuration using the internal jumper labeled **DIO**. You must remove the device housing to access the jumper on the circuit board.

Complete the following steps to set the jumper for pull-up or pull-down:

1. Unplug the device from the computer.
2. Turn the device over and rest the top of the housing on a flat, stable surface.

**Caution!** The discharge of static electricity can damage some electronic components. Before removing the USB-1408FS-Plus-OEM from its housing, ground yourself using a wrist strap or touch the computer chassis or other grounded object to eliminate any stored static charge.

3. Remove the three screws from the bottom of the device using a #1 Philips head screwdriver.
4. Hold both the top and bottom sections together, turn the device over and rest it on the surface, then carefully remove the top section of the case to expose the circuit board.

The user-configurable jumpers are labeled **DIO A** and **DIO B**. Figure 7 shows the location of each jumper on the circuit board.

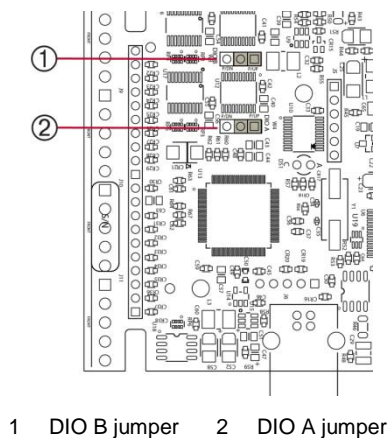


Figure 7. Pull-up/down jumper locations

5. Set each jumper for pull-up (P/UP) or pull-down (P/DN), as shown in Figure 8. Use the jumper labeled DIO A to configure Port A, and DIO B to configure Port B.

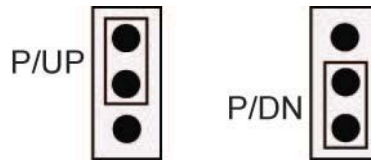


Figure 8. Pull-up/down jumper configuration

6. Replace the top section of the housing, and fasten it to the bottom section with the three screws.

#### For more information on digital signal connections

For more information on digital signal connections and digital I/O techniques, refer to the *Guide to Signal Connections* (available on our web site at [www.mccdaq.com/signals/signals.pdf](http://www.mccdaq.com/signals/signals.pdf)).

## Counter input

The **CTR** connection is input to the 32-bit external event. The internal counter increments when the TTL levels transition from low to high. The counter can count frequencies of up to 1 MHz.

## External trigger input

The **TRIG\_IN** connection is an external trigger input that you can configure for either rising or falling edge.

## SYNC I/O

The **SYNC** terminal is a bidirectional I/O signal that can be configured as an input (default) or an output.

- Configure as an external clock input to pace the A/D conversions from an external source. The SYNC terminal supports TTL-level input signals of up to 50 kHz.
- Configure as an output to pace the conversions on a second device and acquire data from 16 channels using one clock. For more information about synchronized operations see page 17.

## Power output

The **+VO** connection draws power from the USB connector on the computer.

**Caution!** The +VO terminal is an output. Do not connect it to an external power supply or you may damage the device and possibly the computer.

## Ground

The analog ground (**AGND**) terminals provide a common ground for all analog channels.

The digital ground (**GND**) terminals provide a common ground for the digital, trigger, counter, and sync channels and the power terminal.

## Accuracy

The overall accuracy of any instrument is limited by the error components within the system. Resolution is often incorrectly used to quantify the performance of a measurement product. While "12-bits" or "1 part in 4,096" does indicate what can be resolved, it provides little insight into the quality of an absolute measurement. Accuracy specifications describe the actual results that can be realized with a measurement device.

There are three types of errors which affect the accuracy of a measurement system:

- offset
- gain
- nonlinearity

The primary error sources are offset and gain. Nonlinearity is small in each device, and is not significant as an error source with respect to offset and gain.

Figure 9 shows an ideal, error-free transfer function. The typical calibrated accuracy is range-dependent. Refer to the *Accuracy specifications* in Chapter 4 for more information. We use a  $\pm 10$  V range here as an example of what you can expect when performing a measurement in this range.

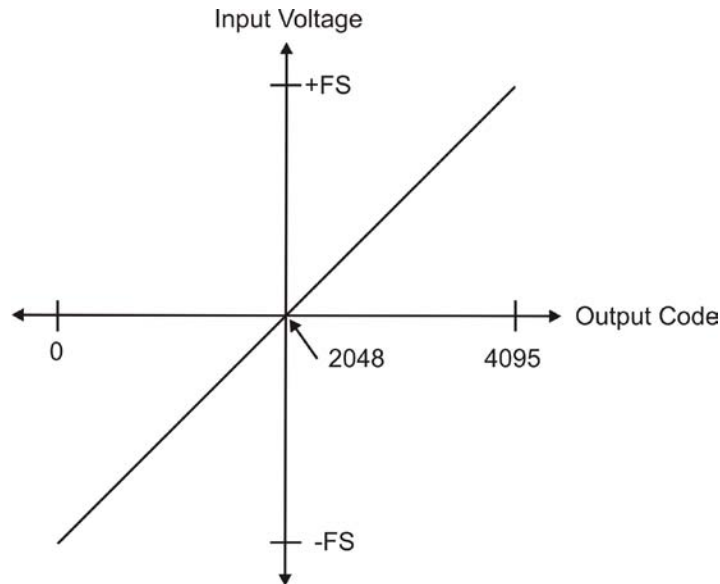


Figure 9. Ideal ADC transfer function

The offset error is measured at mid-scale. Ideally, a zero volt input should produce an output code of 2048. Any deviation from this is an offset error.

Figure 10 shows an example of a transfer function with a  $\pm 9.77$  mV offset error. Offset error affects all codes equally by shifting the entire transfer function up or down along the input voltage axis.

The accuracy plots in Figure 10 are drawn for clarity and are not drawn to scale.

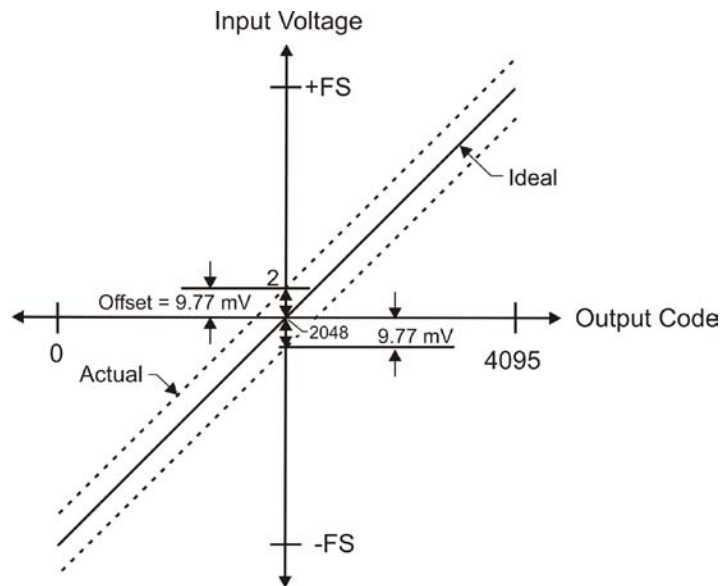


Figure 10. ADC transfer function with offset error

Gain error is a change in the slope of the transfer function from the ideal, and is typically expressed as a percentage of full-scale.

Figure 11 shows the transfer function with gain error. Gain error is easily converted to voltage by multiplying the full-scale (**FS**) input by the error.



The accuracy plots in Figure 11 are drawn for clarity and are not drawn to scale.

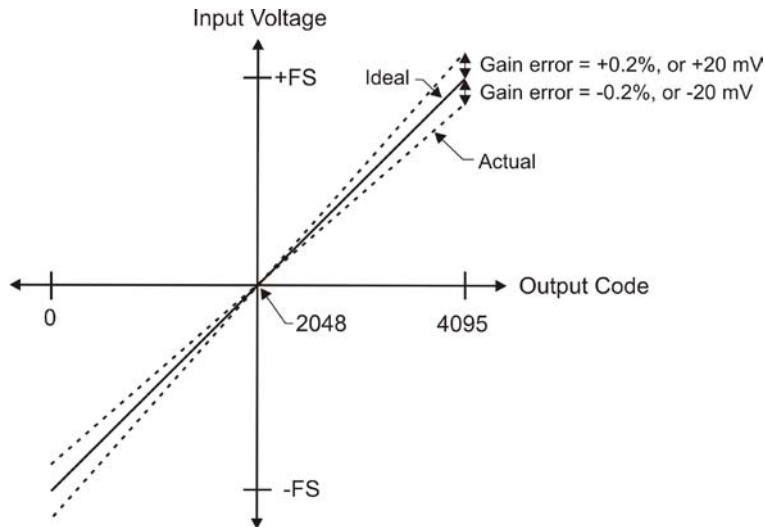


Figure 11. ADC Transfer function with gain error

For example, the USB-1408FS-Plus-OEM exhibits a typical calibrated gain error of  $\pm 0.2\%$  on all ranges. For the  $\pm 10\text{ V}$  range, this would yield  $10\text{ V} \times \pm 0.002 = \pm 20\text{ mV}$ . This means that at full scale, and neglecting the effect of offset, the measurement would be within 20 mV of the actual value. Note that gain error is expressed as a ratio. Values near  $\pm\text{FS}$  are more affected from an absolute voltage standpoint than are values near mid-scale, which see little or no voltage error.

Combining these two error sources in Figure 12, we have a plot of the error band for the  $\pm 10\text{ V}$  range. This is a graphical version of the typical accuracy specification of the product.

The accuracy plots in Figure 12 are drawn for clarity and are not drawn to scale.

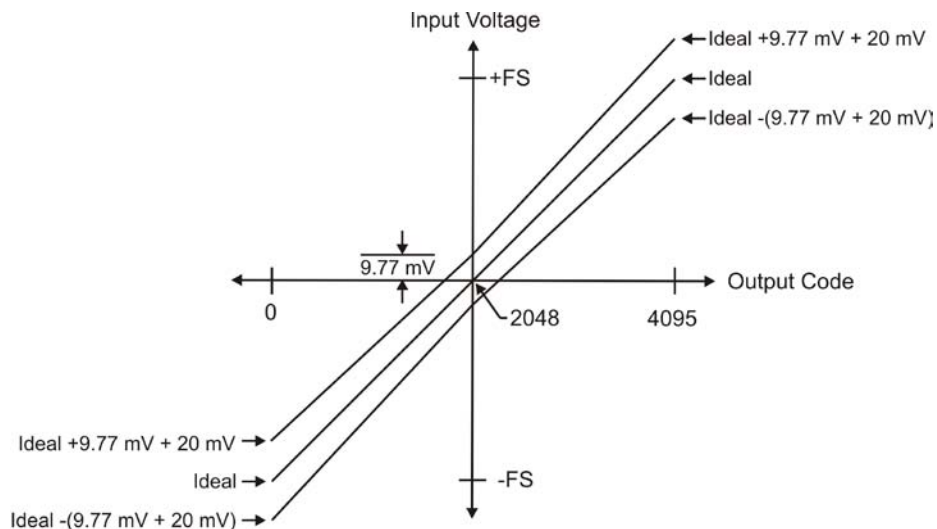


Figure 12. Error band plot

## Synchronized operations

You can connect the SYNC pin of two devices together in a master/slave configuration and acquire data from the analog inputs of both devices using one clock.

When the SYNC pin is configured as an output, the internal A/D pacer clock signal is sent to the header connector. Output the clock signal to the SYNC pin of a second device that is configured for A/D pacer input.

## Power

Connecting the device to a computer draws <100 mA of current from the USB +5V supply. When running applications, the current that can be drawn from all device connections (analog, digital, SYNC, and +VO output loading) is <500 mA. The maximum output current that is available at the +VO power output terminal is 100 mA.

With all outputs at their maximum output current, the USB-1408FS-Plus-OEM in a fully-loaded configuration may be above that allowed by the computer. In this case, determine the per-pin loading in the application to ensure that the maximum loading criteria is met. The per-pin loading is calculated by dividing +5V by the load impedance of the pin in question.

## Mechanical drawings

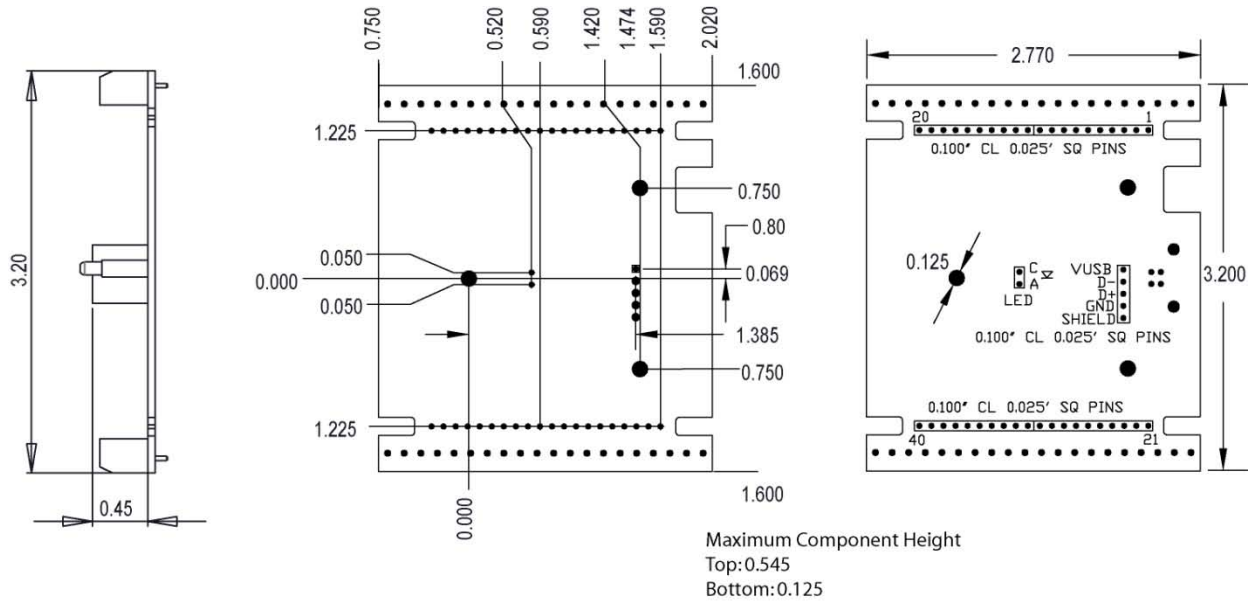


Figure 13. Circuit board dimensions

## Specifications

All specifications are subject to change without notice.

Typical for 25°C unless otherwise specified.

Specifications in *italic text* are guaranteed by design.

### Analog input

Table 1. Analog input specifications

Parameter	Condition	Specification
A/D converter type		Successive approximation type
Input voltage range for linear operation	CHx to GND	Single-ended mode: $\pm 10$ V max Differential mode: $-10$ V min, $+20$ V max
<i>Absolute maximum input voltage</i>	<i>CHx to GND</i>	<i><math>\pm 28</math> V max</i>
<i>Input impedance</i>		<i>122 k<math>\Omega</math></i>
Input current (Note 1)	$V_{in} = +10$ V	70 $\mu$ A typ
	$V_{in} = 0$ V	-12 $\mu$ A typ
	$V_{in} = -10$ V	-94 $\mu$ A typ
Number of channels		8 single-ended or 4 differential; software-selectable
Input ranges	Single-ended	$\pm 10$ V, G=2
	Differential	$\pm 20$ V, G=1 $\pm 10$ V, G=2 $\pm 5$ V, G=4 $\pm 4$ V, G=5 $\pm 2.5$ V, G=8 $\pm 2.0$ V, G=10 $\pm 1.25$ V, G=16 $\pm 1.0$ V, G=20 Software-selectable
Throughput (Note 2)	Software paced	250 S/s typ, PC-dependent
	Continuous scan	0.014 S/s to 48 kS/s
Channel gain queue		Software selectable. 8 elements in SE mode, 4 elements in DIFF mode. One gain element per channel. Elements must be unique and listed in ascending order.
Resolution (Note 3)	Differential	14 bits, no missing codes
	Single-ended	13 bits
Integral linearity error		$\pm 2$ LSB typ
Differential linearity error		$\pm 0.5$ LSB typ
Absolute accuracy long term drift (Note 4)	$\pm 20$ V range	$\pm 3$ LSB typ ( $\Delta t = 1000$ hrs)
	$\pm 4$ V range	$\pm 6$ LSB typ ( $\Delta t = 1000$ hrs)
	$\pm 1$ V range	$\pm 8$ LSB typ ( $\Delta t = 1000$ hrs)
Trigger source		External digital: TRIG_IN Software-selectable

**Note 1:** Input current is a function of applied voltage on the analog input channels. For a given input voltage,  $V_{in}$ , the input leakage is approximately equal to  $(8.181 * V_{in} - 12)$   $\mu$ A.

**Note 2:** Maximum throughput when scanning is machine dependent.

**Note 3:** The ADS7871 converter only returns 13 bits (0 to 8,192 codes) in single-ended mode.

**Note 4:** Extrapolating the long term drift accuracy specifications will provide the approximate long term drift of the intermediate input ranges.

## Accuracy

Table 2. Accuracy, differential mode

Range	Absolute Accuracy 25 °C (±mV)	Absolute Accuracy 0 °C to 50°C (±mV)
±20 V	10.98	49.08
±10 V	7.32	33.42
±5 V	3.66	20.76
±4 V	2.92	19.02
±2.5 V	1.83	14.97
±2 V	1.70	14.29
±1.25 V	1.21	12.18
±1 V	1.09	11.63

Table 3. Accuracy, single-ended mode

Range	Absolute Accuracy 25 °C (±mV)	Absolute Accuracy 0 °C to 50 °C (±mV)
±10 V	10.98	49.08

## Noise performance

Table 4. Noise performance, differential mode

Range	Typical counts	Least significant bit <sub>root mean square</sub> (LSB <sub>rms</sub> )
±20 V	8	1.21
±10 V	8	1.21
±5 V	9	1.36
±4 V	10	1.51
±2.5 V	12	1.81
±2 V	14	2.12
±1.25 V	18	2.72
±1 V	22	3.33

Table 5. Noise performance, single-ended mode

Range	Typical Counts	LSB <sub>rms</sub>
±10 V	8.0	1.21

## Analog output

Table 6. Analog output specifications

Parameter	Condition	Specification
Resolution		12-bits, 1 in 4,096
Output range		0 V to 5.0 V
Number of channels		2
Throughput (Note 5)	Software paced	250 S/s single channel typ, PC dependent
	Hardware paced, per channel	50 kS/s max
Power on and reset voltage		0 V, ±20 mV typ; initializes to 000h code
Output drive	Each D/A OUT	5 mA, sourcing
Slew rate		0.8 V/μs typ

**Note 5:** Maximum throughput when scanning is machine dependent.

Table 7. Analog output accuracy, all values are ( $\pm$ ); accuracy tested at no load

Range	Accuracy (LSB)
0 V to 5.0 V	4.0 typ, 45.0 max

Table 8. Analog output accuracy components, all values are ( $\pm$ )

Range	% of FSR	Gain Error at FS (mV)	Offset (mV) (Note 6)	Accuracy at FS (mV)
0 V to 5.0 V	0.1 typ, 0.9 max	4.0 typ, 36.0 max	1.0 typ, 9.0 max	4.0 typ, 45.0 max

**Note 6:** Zero-scale offsets may result in a fixed zero-scale error producing a "dead-band" digital input code region. In this case, changes in digital input code at values less than 0x040 may not produce a corresponding change in the output voltage. The offset error is tested and specified at code 0x040.

## Digital input/output

Table 9. Digital I/O specifications

Parameter	Specification
Digital type	CMOS
Number of I/O	16 (Port A0 through A7, Port B0 through B7)
Configuration	2 banks of 8. Port B is high current drive.
Pull up/pull-down configuration	All pins pulled up to 5V via 47 k $\Omega$ resistors (default). Change to pull-down using internal user-configurable jumpers.
Input high voltage threshold	2.0 V min
Input high voltage limit	5.5 V absolute max
Input low voltage threshold	0.8 V max
Input low voltage limit	-0.5 V absolute min 0 V recommended min
Output high voltage, Port A	4.4 V min (IOH = -20 $\mu$ A) 3.84 V min (IOH = -6.0 mA)
Output low voltage, Port A	0.1 V max (IOL = 20 $\mu$ A) 0.33 V max (IOL = 6.0 mA)
Output high voltage, Port B	4.4 V min (IOH = -50 $\mu$ A) 3.76 V min (IOH = -24.0 mA)
Output low voltage, Port B	0.1 V max (IOH = 50 $\mu$ A) 0.44 V max (IOH = 24.0 mA)
Power on and reset state	Input

## External trigger

Table 10. Digital trigger specifications

Parameter	Specification
Trigger source (Note 7)	External digital; TRIG_IN terminal
Trigger mode	Edge sensitive; software-selectable for CMOS compatible rising or falling edge, high or low level.
Trigger latency	10 $\mu$ s max
Trigger pulse width	1 $\mu$ s min
Input type	Schmitt trigger, 47 k $\Omega$ pull-down to ground
Schmitt trigger hysteresis	1.01 V typ 0.6 V min 1.5 V max
Input high voltage threshold	2.43 V typ 1.9 V min 3.1V max
Input high voltage limit	5.5 V absolute max
Input low voltage threshold	1.42 V typ 1.0 V min 2.0 V max
Input low voltage limit	-0.5 V absolute min 0 V recommended min

## External clock input/output

Table 11. External clock I/O specifications

Parameter	Condition	Specification
Terminal name		SYNC
Terminal type		Bidirectional
Direction (software-selectable)	Output	Outputs the internal A/D pacer clock. Active on rising edge.
	Input (default)	Receives A/D pacer clock from external source. Active on rising edge.
Input clock rate		48 kHz, max
Clock pulse width	Input mode	1 $\mu$ s min
	Output mode	5 $\mu$ s min
Input type		Schmitt trigger, 47 k $\Omega$ pull-down to ground
Schmitt trigger hysteresis		1.01 V typ 0.6 V min 1.5 V max
Input high voltage threshold		2.43 V typ 1.9 V min 3.1V max
Input high voltage limit		5.5 V absolute max
Input low voltage threshold		1.42 V typ 1.0 V min 2.0 V max
Input low voltage limit		-0.5 V absolute min 0 V recommended min
Output high voltage		4.4 V min (IOH = -50 $\mu$ A) 3.80 V min (IOH = -8 mA)
Output low voltage		0.1 V max (IOL = 50 $\mu$ A) 0.44 V max (IOL = 8 mA)

## Counter

Table 12. Counter specifications

Parameter	Specification
Pin name	CTR
Counter type	Event counter
Number of channels	1
Input type	Schmitt trigger, 47 k $\Omega$ pull-down to ground, rising edge triggered
<i>Input source</i>	<i>CTR header pin</i>
Resolution	32 bits
Maximum input frequency	1 MHz
<i>High pulse width</i>	<i>500 ns min</i>
<i>Low pulse width</i>	<i>500 ns min</i>
Schmitt trigger hysteresis	1.01 V typ 0.6 V min 1.5 V max
Input high voltage threshold	2.43 V typ 1.9 V min 3.1V max
Input high voltage limit	5.5 V absolute max
Input low voltage threshold	1.42 V typ 1.0 V min 2.0 V max
Input low voltage limit	-0.5 V absolute min 0 V recommended min

## Memory

Table 13. Memory specifications

Parameter	Specification
Non-volatile EEPROM	2,048 bytes (768 bytes calibration, 256 bytes user, 1,024 bytes DAQFlex)

## Microcontroller

Table 14. Microcontroller specifications

Parameter	Specification
<i>Type</i>	<i>High performance 16-bit RISC microcontroller</i>

## Power

Table 15. Power specifications

Parameter	Condition	Specification
Supply current	During USB enumeration	< 100 mA
	After USB enumeration, including DIO, AO, SYNC, and +VO output loading	< 500 mA
+VO power available	After USB enumeration	4.5 V min, 5.25 V max
+VO output current	After USB enumeration	100 mA max

## General

Table 16. General specifications

Parameter	Specification
Device type	USB 2.0 full speed
Device compatibility	USB 1.1, USB 2.0

## Environmental

Table 17. Environmental specifications

Parameter	Specification
Operating temperature range	0 °C to 70 °C
Storage temperature range	-40 °C to 70 °C
Humidity	0% to 90% non-condensing

## Mechanical

Table 18. Mechanical specifications

Parameter	Specification
Dimensions (L × W × H)	81.28 × 73.66 × 15.24 mm (3.20 × 2.9 × 0.6 in.)
USB cable length	3 m (9.84 ft) max
User connection length	3 m (9.84 ft) max

## Header connector

Table 19. Header specifications

Parameter	Specification
Connector type	Two 20-pin, 0.1 in. pitch headers



## Differential mode

Table 20. 4-channel differential mode

Pin	Signal name	Pin description	Pin	Signal name	Pin description
1	CH0 IN HI	Analog input 0+	21	Port A0	Port A bit 0
2	CH0 IN LO	Analog input 0-	22	Port A1	Port A bit 1
3	AGND	Analog ground	23	Port A2	Port A bit 2
4	CH1 IN HI	Analog input 1+	24	Port A3	Port A bit 3
5	CH1 IN LO	Analog input 1-	25	Port A4	Port A bit 4
6	AGND	Analog ground	26	Port A5	Port A bit 5
7	CH2 IN HI	Analog input 2+	27	Port A6	Port A bit 6
8	CH2 IN LO	Analog input 2-	28	Port A7	Port A bit 7
9	AGND	Analog ground	29	GND	Ground
10	CH3 IN HI	Analog input 3+	30	+VO	Power output
11	CH3 IN LO	Analog input 3-	31	GND	Ground
12	AGND	Analog ground	32	Port B0	Port B bit 0
13	D/A OUT 0	Analog output 0	33	Port B1	Port B bit 1
14	D/A OUT 1	Analog output 1	34	Port B2	Port B bit 2
15	AGND	Analog ground	35	Port B3	Port B bit 3
16	Reserved	Reserved for future use	36	Port B4	Port B bit 4
17	GND	Ground	37	Port B5	Port B bit 5
18	TRIG_IN	Trigger input	38	Port B6	Port B bit 6
19	SYNC	Synchronization I/O	39	Port B7	Port B bit 7
20	CTR	Counter input	40	GND	Ground

## Single-ended mode

Table 21. 8-channel single-ended mode

Pin	Signal name	Pin description	Pin	Signal name	Pin description
1	CH0 IN	Analog input 0	21	Port A0	Port A bit 0
2	CH1 IN	Analog input 1	22	Port A1	Port A bit 1
3	AGND	Analog ground	23	Port A2	Port A bit 2
4	CH2 IN	Analog input 2	24	Port A3	Port A bit 3
5	CH3 IN	Analog input 3	25	Port A4	Port A bit 4
6	AGND	Analog ground	26	Port A5	Port A bit 5
7	CH4 IN	Analog input 4	27	Port A6	Port A bit 6
8	CH5 IN	Analog input 5	28	Port A7	Port A bit 7
9	AGND	Analog ground	29	GND	Ground
10	CH6 IN	Analog input 6	30	+VO	Power output
11	CH7 IN	Analog input 7	31	GND	Ground
12	AGND	Analog ground	32	Port B0	Port B bit 0
13	D/A OUT 0	Analog output 0	33	Port B1	Port B bit 1
14	D/A OUT 1	Analog output 1	34	Port B2	Port B bit 2
15	AGND	Analog ground	35	Port B3	Port B bit 3
16	Reserved	Reserved for future use	36	Port B4	Port B bit 4
17	GND	Ground	37	Port B5	Port B bit 5
18	TRIG_IN	Trigger input	38	Port B6	Port B bit 6
19	SYNC	Synchronization I/O	39	Port B7	Port B bit 7
20	CTR	Counter input	40	GND	Ground

**Measurement Computing Corporation**  
**10 Commerce Way**  
**Suite 1008**  
**Norton, Massachusetts 02766**  
**(508) 946-5100**  
**Fax: (508) 946-9500**  
**E-mail: [info@mccdaq.com](mailto:info@mccdaq.com)**  
**[www.mccdaq.com](http://www.mccdaq.com)**