

Overview	1	DBK81 – 7 Channel Card
Hardware Setup	2	DBK82 – 14 Channel Card
Card Connection	2	DBK83 – 14 Channel Card with
Open Thermocouple Detection	3	External Connection Pod
Installing the DBK82 in the DBK41 Enclosure	3	
Using the Connection POD, DBK83 Only.....	4	
POD-1 Dimensions	5	
Card Configuration	6	
DaqBook/100 Series & /200 Series and DaqBoard [ISA type] Configuration	6	
DaqBook/2000 Series and DaqBoard/2000 Series Configuration	6	
Software Setup	7	
Using a Temperature Calibrator	8	
DBK81, DBK82, DBK83 – Specifications	9	



Reference Notes:

- Chapter 2 includes pinouts for P1, P2, P3, and P4. Refer to pinouts applicable to your system, as needed.
- In regard to calculating system power requirements, refer to *DBK Basics* located near the front of this manual.

Overview

The DBK81, DBK82, and DBK83 are used in temperature measurement applications that make use of thermocouples. The DBK81 provides connections for 7 thermocouples. Both the DBK82 and the DBK83 provide connections for 14 thermocouples. The two 14 channel cards differ from each other in that the input connectors of the DBK82 are on the board, but connectors of the DBK83 are located in an external connection pod.

All three cards feature on-board cold junction compensation (CJC) for direct measurement of type J, K, T, E, N28, N14, S, R, and B thermocouples. The following table provides the temperature range for each of these thermocouple types.

Thermocouple Temperature Ranges									
T/C Type	J	K	T	E	N28	N14	S	R	B
Temperature Range °C	-200 to 760	-200 to 1200	-200 to 400	-270 to 650	-270 to 400	0 to 1300	-50 to 1768	-50 to 1768	50 to 1780
Temperature Range °F	-328 to 1400	-328 to 2192	-328 to 752	-454 to 1202	-454 to 752	32 to 2372	-58 to 3214	-58 to 3214	122 to 3236

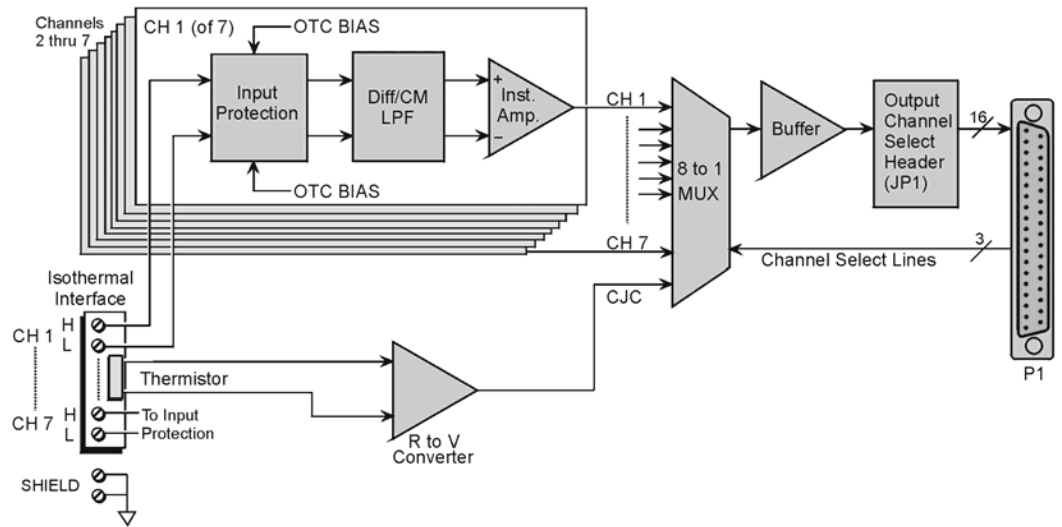
The three DBK cards connect to external thermocouples via channels, as follows:

- **DBK81** – up to seven thermocouples can be connected, using channels 1 through 7, inclusive
- **DBK82 and DBK83** - up to fourteen thermocouples can be connected, using channels 1 through 7 for the first seven and channels 9 through 15 for the second set of seven.

Note: On the DBK81, there is one CJC. It is measured on channel 0. On the DBK82 and DBK83 there are two CJCs, measured on channels 0 and 8.

In addition to thermocouple measurements, each input channel can be configured for a fixed voltage gain of 100. When in this mode, voltage can be measured in the range of ± 100 mV, or ± 50 mV, depending on the type of Daq device being used.

Up to sixteen DBK81, DBK82, or DBK83 cards can be attached to a single LogBook or Daq device, providing up to 224 temperature channels. The cards need not be the same. For example, you could have ten DBK81 cards, three DBK82 cards, and three DBK83 cards in one system.



DBK81 Block Diagram*

*The DBK81 block diagram can be applied to the DBK82 and DBK83, as their diagrams only differ to the one above in regard to the number of input channels provided.



In comparison to other DBK cards, the DBK81, DBK82, and DBK83 demand significant power from the system's $\pm 15V$ power supplies. It is important that you calculate your system's power demand, as you may need to add auxiliary power supplies. Refer to *Power Requirements* in the DBK Basics section for additional information.

Hardware Setup

Card Connection

Connect the thermocouple wires to the intended input terminals on the card. The DBK81 provides input connections for channels 1 through 7, while the DBK82 and DBK83 offer input connections for channels 1 through 7 and 9 through 15. All channels have the same level of functionality.

Thermocouple wire is standardized, color-coded, and polarized, as noted in the following table.

Thermocouple Standards			
T/C Type	(+) Lead to Channel High	(-) Lead to Channel Low	
J	White	Red	
K	Yellow	Red	
T	Blue	Red	
E	Violet	Red	
N28	Orange	Red	
N14	Orange	Red	
S	Black	Red	
R	Black	Red	
B	Gray	Red	

Input connections for the three cards are labeled "H" and "L" to denote polarity.



For isothermal performance, an exposed, grounded copper plane surrounds the input connectors. It is important that non-insulated input wires do not contact the grounded plane – since such contact can degrade measurement integrity.

It should be noted that thermocouples output very small voltages and that long thermocouple leads can pickup a large amount of noise. However, the DBK81, DBK82, and DBK83 inherently provide a high level of noise immunity via their 4 Hz signal bandwidth and input filtering. If desired, further noise reduction can be achieved through the use of shielded thermocouples and/or averaging.



You can minimize the effect of noise by (1) using shielded thermocouples, (2) averaging readings, or (3) employing both of these practices.

To accommodate shielding, grounded connections, labeled “SHIELD,” are provided. A typical use of the connection would be the attachment of the shield to a shielded thermocouple.



If a thermocouple shield is connected on the DBK card, leave the shield unconnected at the other end of the thermocouple.

Open Thermocouple Detection

The DBK81, DBK82, and DBK83 are equipped with open thermocouple detection for each channel. This means that a broken thermocouple wire [or otherwise unconnected input] that is measured will result in an off-scale reading. This is accomplished by applying a small bias current to each of the channel inputs. Whenever a valid input is absent, the bias current saturates the input amplifier, resulting in the off-scale reading. When in this “off-scale” state, however, the input amplifier draws more current from the power supply. Specifically, the power draw of a card from ± 15 V will increase by 0.75 mA for each open channel.



If available power is limited, short unused channels by connecting a short length of wire between the H and L terminals. This will minimize power consumption. Note that it is not enough to simply avoid scanning unused channels; to minimize power consumption the channels must be physically shorted in the hardware.

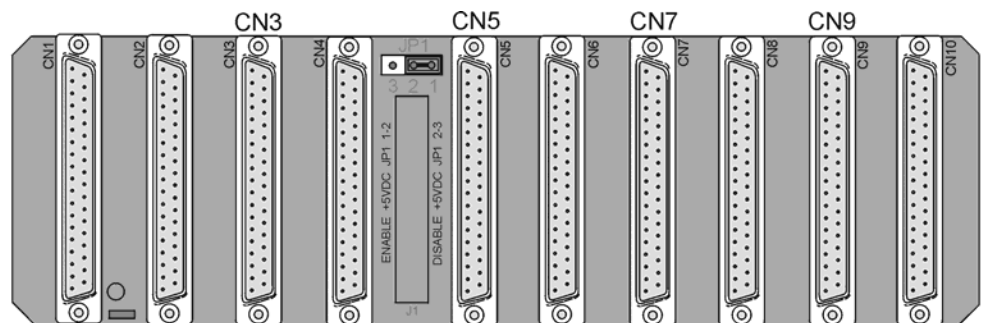


The power requirements, detailed in the product specification, assume worst case connection conditions.

Installing the DBK82 in the DBK41 Enclosure

Because of its physical size, the DBK82 will not fit into 1-slot enclosures such as the DBK10 or DaqBook/216. It does fit, however, in the DBK41 enclosure, and in “drawer-type” products, such as the DaqBook/260.

Installation of the DBK82 is possible in DBK41 connectors CN3, CN5, CN7, and CN9. The connector labels are visible near the upper edge of the DBK41’s printed circuit board, as indicated in the following figure.



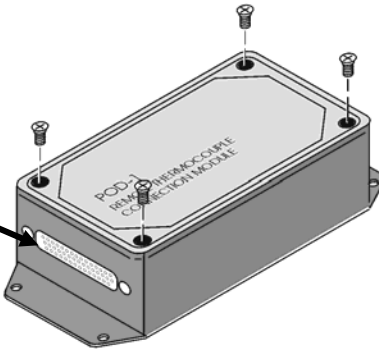
DBK41's Printed Circuit Board

DBK82 cards can be connected to CN3, CN5, CN7, and CN9.

Using the Connection POD, DBK83 Only

Unlike other DBK units, the input connections for the DBK83 do not exist on the card itself. Instead, they exist in an external connection pod, POD-1. POD-1 simply represents a physical relocation of the input screw terminals and cold junction sensors that reside on the card in the case of the DBK81 and DBK82. POD-1 connects to the DBK83 unit via the CA-239 cable. POD-1 dimensions are provided at the end of this section.

The female-end of the CA-239 cable connects to POD-1's male 44-pin connector.



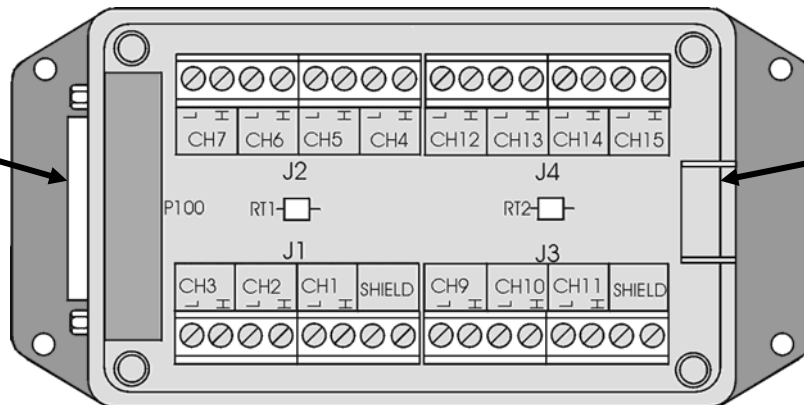
POD-1

You must remove the four cover screws and the cover plate to access the pod's terminal blocks. The terminal block layout is provided in the following figure.

To install thermocouple wires in POD-1:

1. Remove the four screws of the POD-1 cover.
2. Route the thermocouple wires through the input hole of the POD-1 and connect them to the intended channels. Note the "H" and "L" polarity designations on the channels for proper connection. (See the following figure).
3. Replace the POD-1 cover and secure it with the four screws that were removed in step 1.

The CA-239 cable connects here.



Thermocouple wires route through this opening.

POD-1 Connection Terminals



For isothermal performance, an exposed, grounded copper plane surrounds the input connectors. It is important that non-insulated input wires do not contact the grounded plane – since such contact can degrade measurement integrity.

To connect the POD-1 to the DBK83:

1. Connect the male end of the CA-239 cable to the female 44-pin connector on the DBK83.
2. Connect the female end of the CA-239 cable to the male 44-pin connector on the POD-1.

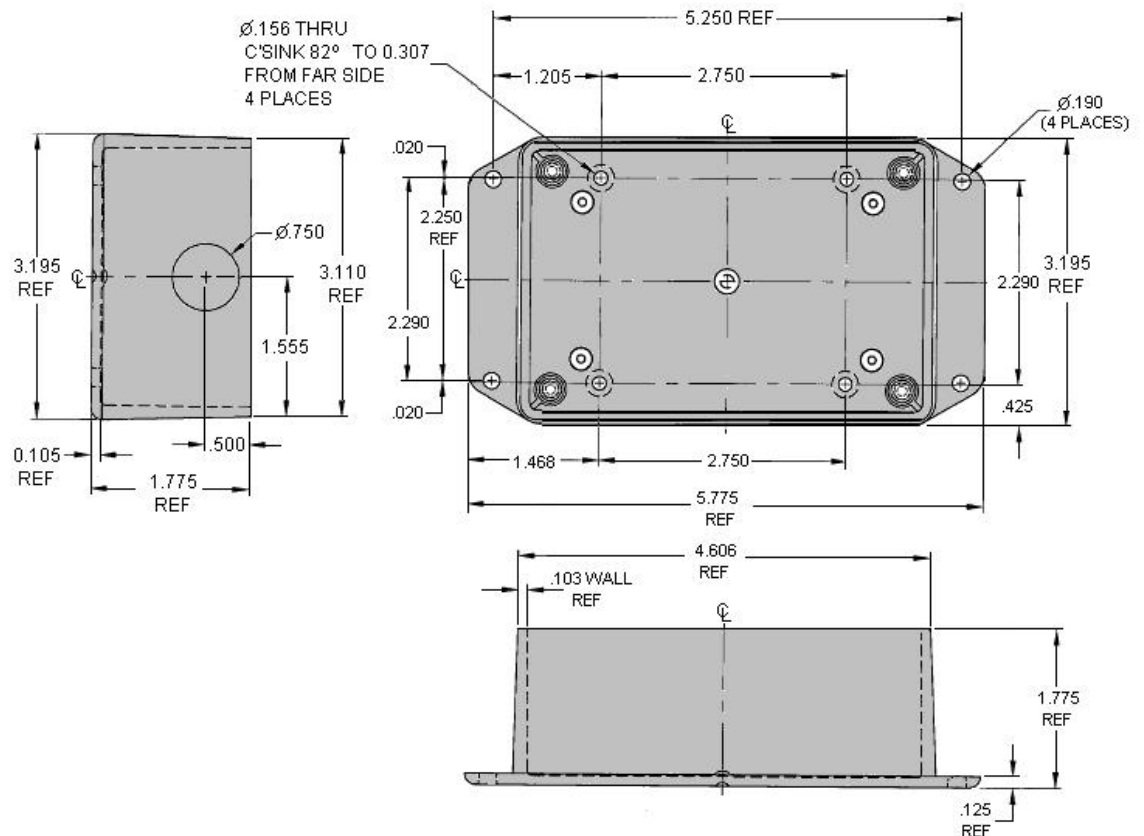


The system design of the DBK83 allows for the quick connection/disconnection of up to 14 thermocouples at one time. You may find it advantageous to have several POD-1 modules permanently wired to different sets of thermocouples and to simply swap the CA-239 cable between them and one DBK83 card, as desired.



Because of the opposing gender on the CA-239 cable ends, it is possible to mate multiple CA-239 cables together to increase the distance from the POD-1 to the DBK83. Because of characteristics of the cable design and the signals on it, measurement integrity is not affected by doing so, and there are no practical limits on how many cables can be used.

POD-1 Dimensions

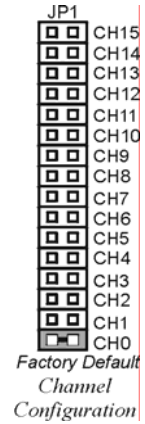


POD-1 Dimensions. POD-1 is for use with DBK43.

Card Configuration

Up to sixteen DBK81, DBK82, or DBK83 cards can be attached to a single LogBook or Daq device, providing up to 224 temperature channels. The cards need not be the same. For example, you could have ten DBK81 cards, three DBK82 cards, and three DBK83 cards in one system.

Since multiple cards are connected via a parallel interface, each card must have a unique channel address. To assign a channel number to the card, locate the 16×2-pin header (labeled JP1). JP1's jumper locations are labeled CH0 through CH15. Place the jumper on the two pins that correspond with the intended channel.

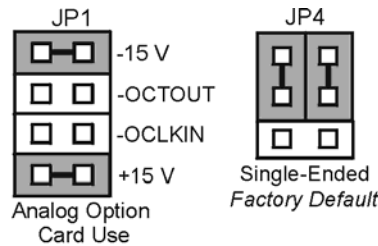


Only one channel configuration jumper is to be used per card. Each card in the system must have a unique jumper setting.

DaqBook/100 Series & /200 Series and DaqBoard [ISA type] Configuration

Use of a DBK81, DBK82, or DBK83 with a DaqBook/100 Series device, /200 Series device, or an ISA-type DaqBoard, requires the configuration of jumpers JP1 and JP4 located on the DaqBook or DaqBoard, as applicable.

1. If not using auxiliary power, set the JP1 jumper for **Analog Option Card Use**, also referred to as the expanded analog mode.



Note:
These jumpers do not apply to /2000 Series devices.

Required Jumper Settings in DaqBook/100 Series & DaqBook/200 Series Devices and ISA-Type DaqBoards



The JP1 default position (above) is necessary to power the interface circuitry of the DBK81, DBK82, and DBK83 cards via the internal ±15 VDC power supply. If using auxiliary power (e.g., a DBK32A or DBK33), you must remove both JP1 jumpers. Refer to *Power Requirements* in the *DBK Basics* section and to the DBK32A and DBK33 sections as applicable.

2. For DaqBook/100, DaqBook /112, and DaqBook /120 *only*, place the JP4 jumper in the *single-ended* mode.

Note: Analog expansion cards convert all input signals to single-ended voltages that are referenced to analog common.

DaqBook/2000 Series and DaqBoard/2000 Series Configuration

No jumper configurations are required for the /2000 series devices.

Software Setup



Reference Notes:

- **DaqView users** - Refer to Chapter 3, *DBK Setup in DaqView*.
- **LogView users** - Refer to Chapter 4, *DBK Setup in LogView*.
- Programmers using Daq devices should refer to related sections in the *Programmer's Manual*.

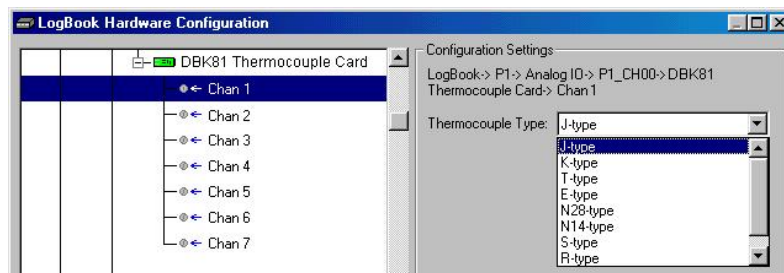
Note: LogView and DaqView software each include functions for the conversion and linearization of thermocouple readings into temperature data.

When a DBK81, DBK82, or DBK83 is selected in DaqView or LogView, thermocouple types must also be selected for the card's channels. The two programs each use a different method for selecting the thermocouple types.

In LogView ...

In LogView, the *LogBook Hardware Configuration Window* is used to select the thermocouple types. After selecting DBK81, DBK82, or DBK83, set each of the card's channels according to the actual thermocouple being used for the channel's input.

In the following screen-shot [from LogView], we see a J-type thermocouple being selected for Channel 1 of a DBK81.

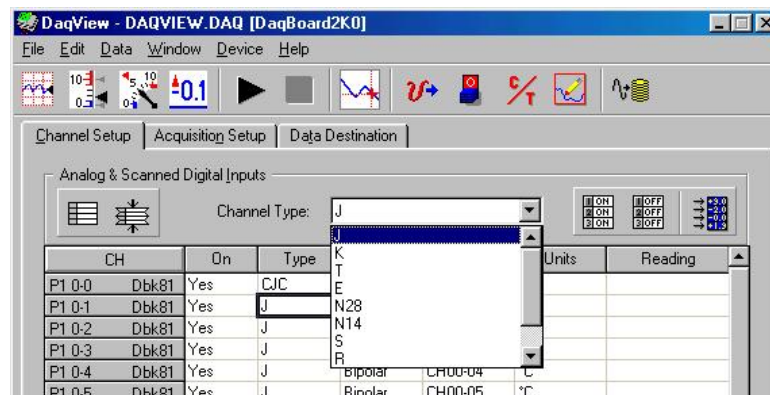


LogBook Hardware Configuration Window

In DaqView

In DaqView, after selecting the DBK81, DBK82, or DBK83 in the *Configure System Hardware Window*, the *Channel Setup Tab* (on the main window) is used to select the thermocouple types (see following figure). The channel types can be changed by double-clicking in the *Types* column, or by using the *Channel Type* pull-down list.

In the following screen-shot [from DaqView], we see a J-type thermocouple being selected for a DBK81 card's Channel 1. Note that the channel is designated "P1 0-1" in the Channel column.



DaqView, Channel Setup

Using a Temperature Calibrator

The DBK81, DBK82, and DBK83 thermocouple cards provide accurate and repeatable temperature measurements across a wide range of operating conditions. However, all instrumentation is subject to drift with time and with ambient temperature change. If the ambient temperature of the operating environment is below 18°C or above 28°C, or if the product is near or outside its one-year calibration interval, then the absolute accuracy may be improved through the use of an external temperature calibrator.

A temperature calibrator is a temperature simulation instrument that allows selection of thermocouple type and temperature. For proper operation, it must be connected to the DBK81, DBK82, or DBK83 with the same type thermocouple wire and connector that is used in normal testing. The calibrator then generates and supplies a voltage to the card. The supplied voltage corresponds to that which would be generated by the chosen thermocouple type at the selected temperature.

The temperature selected on the calibrator will be dictated by the nature of normal testing. 0°C is usually the best choice. Calibrators are the most accurate at this setting, and the connecting thermocouple wire will contribute very little error at this temperature. However, if the dynamic range of the normal testing is, for example, 100°C to 300°C, a selection of 200°C may give better results. In either case, the level of adjustment is determined by comparing the unit reading to the selected calibrator temperature. For example, if the calibrator is set to 0°C output, and the DBK unit reads 0.3°C, then an adjustment of -0.3°C is required. That is, the adjustment value is determined by subtracting the DBK reading from the calibrator setting.

To implement the adjustment in DaqView:

1. Ensure that the acquisition process is turned off.
2. Click on the cell in the Units column for the channel that is connected to the calibrator. The engineering units pull-down menu above the grid becomes active.
3. Click on the down arrow and select the “mx+b” option. This option allows post-acquisition mathematical manipulation.
4. For the example adjustment, enter -0.3 for “b.” The channel under calibration will now read 0°C.

Note that this adjustment is a mathematical operation only, and in no way alters the hardware calibration of the product. Moreover, it operates on a per channel basis, with the settings for a given channel having no influence on any other channels.

To implement the adjustment in LogView:

1. Ensure that the acquisition process is turned off.
2. In the Analog Input Channel Configuration window, select the “User Scaling” tab.
3. Click on the “Offset” cell for the channel that is connected to the calibrator.
4. For the example adjustment, enter -0.3 for “Offset.” The channel under calibration will now read 0°C.

Note that this adjustment is a mathematical operation only, and in no way alters the hardware calibration of the product. Moreover, it operates on a per channel basis, with the settings for a given channel having no influence on any other channels.

DBK81, DBK82, DBK83 - Specifications

Name/Function:

DBK81 – 7 Channel High-Accuracy Thermocouple Card

DBK82 – 14 Channel High-Accuracy Thermocouple Card

DBK83 – 14 Channel High-Accuracy Thermocouple Card with external TC/mV screw-terminal connection pod

System Connector: All DBK options have a DB37 male, which mates with P1 on the DaqBoard, DaqBook, LogBook, or other DBK options

TC/mV Connector

DBK81: Board-mounted screw terminals

DBK82: Board-mounted screw terminals

DBK83: External pod-mounted screw terminals

Functions: TC types J, K, S, T, E, B, R, N; x100 (voltage)

Inputs

DBK81: 7 differential TC/mV inputs

DBK82: 14 differential TC/mV inputs

DBK83: 14 differential TC/mV inputs

Input Voltage Range: ± 100 mV with a DaqBoard/2000 or LogBook
 ± 50 mV with a DaqBook or DaqBoard

Input Impedance: 40M Ohm (differential); 20M Ohm (single-ended)

Input Bandwidth: 4 Hz

Input Bias Current: 10 nA typ

CMRR: 100dB typ

Maximum Working Voltage (signal + common mode): ± 10 V

Over-Voltage Protection: ± 40 V

Power Requirements

DBK81: 35 mA max from ± 15 V; 2 mA max from +5 V

DBK82 and DBK83: 60 mA max from ± 15 V; 2 mA max from +5 V

Operating Temperature: 0°C to 50°C

Voltage Accuracy: $\pm(0.2\%$ of reading +50 μ V)

TC Accuracy: See table and accuracy conditions. Valid for one year, 18 to 28°C

Minimum Resolution: 0.1°C for all TC types

TC Accuracy at Measurement Temperature in °C (\pm °C)											
Type	Min	Max	-100	0	100	300	500	700	900	1100	1400
J	-200	760	0.8	0.7	0.7	0.8	0.9	0.9	—	—	—
K	-200	1200	0.9	0.8	0.8	0.9	1.1	1.1	1.2	1.3	—
T	-200	400	0.9	0.8	0.8	0.8	—	—	—	—	—
E	-270	650	0.8	0.7	0.7	0.7	0.8	—	—	—	—
S	-50	1768	—	3.1	2.4	2.0	2.0	1.9	2.0	2.1	2.1
R	-50	1768	—	3.1	2.1	2.0	1.9	1.9	1.7	1.9	2.0
B	50	1780	—	—	—	4.9	3.2	2.8	2.4	2.3	2.0
N28	-270	400	1.2	0.9	0.9	0.9	—	—	—	—	—
N14	0	1300	—	0.9	0.9	0.9	1.1	1.1	1.2	1.3	—

Accuracy conditions:

- Data is based on the use of a calibrated DaqBoard/2000
- The table reflects total system absolute accuracy, including accuracy of the CJC and DaqBoard/2000
- Excludes possible error from thermocouples
- Excludes noise
- $V_{CM} = 0$

