

# Specifications

**SSR-4-ODC-05**



**MEASUREMENT  
COMPUTING™**

Document Revision 1.1, December, 2006  
© Copyright 2006, Measurement Computing Corporation

---

# Specifications

Typical for 25 °C unless otherwise specified.

## General characteristics

Table 1. General characteristics

Parameter	Conditions	Specification
Type		Quad DC output
Isolation voltage		4000 Vrms
Capacitance input to output		8 pF

## Output

Table 2. Load and line specifications

Parameter	Conditions	Specification
Maximum line voltage		60 VDC
Line voltage range		3 to 60 VDC
Maximum off-state leakage		1 mA
On-state current range		0.01 to 3 A
Maximum surge current	One second	5 A
Peak on-state voltage		1.5 V
Maximum turn-on time		50 $\mu$ s
Maximum turn-off time		100 $\mu$ s

## Input

Table 3. Input and logic circuit specifications

Parameter	Conditions	Specification
Nominal input voltage	Vcc	5 VDC
Input voltage range	Vcc	4 to 6 VDC
Minimum drop out voltage		1 VDC
Maximum input current		15 mA
Typical input current		10 mA
Nominal input resistance		240 Ohms

## Environmental

Table 4. Environmental specifications

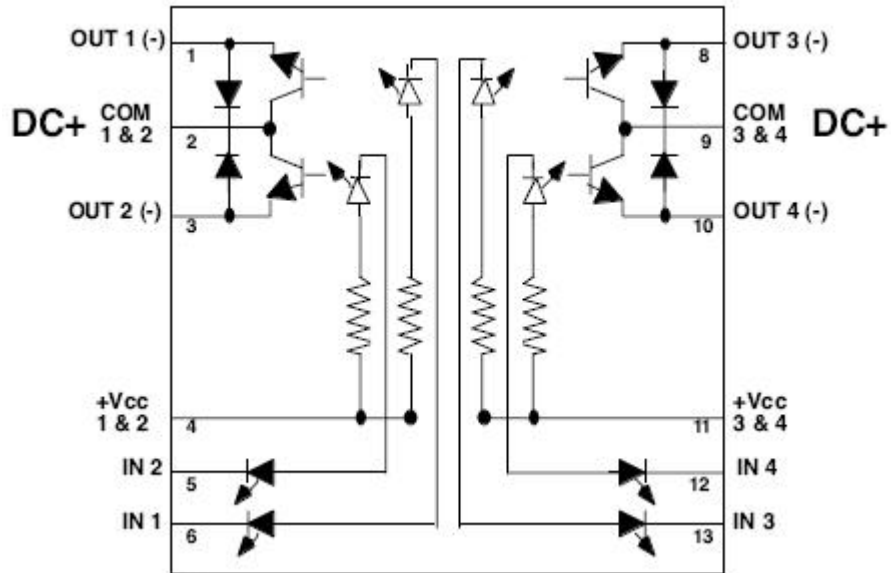
Operating temperature range	-30 to 80 °C
Storage temperature range	-40 to 100 °C

## Mechanical

Table 5. Mechanical specifications

Dimensions	1.7" (43.2 mm) L x 0.6" (15.2 mm) W x 1.25" (31.8 mm) H
------------	---

### Block diagram and pin out



**Measurement Computing Corporation**  
**10 Commerce Way**  
**Suite 1008**  
**Norton, Massachusetts 02766**  
**(508) 946-5100**  
**Fax: (508) 946-9500**  
**E-mail: [info@mccdag.com](mailto:info@mccdag.com)**  
**[www.mccdag.com](http://www.mccdag.com)**