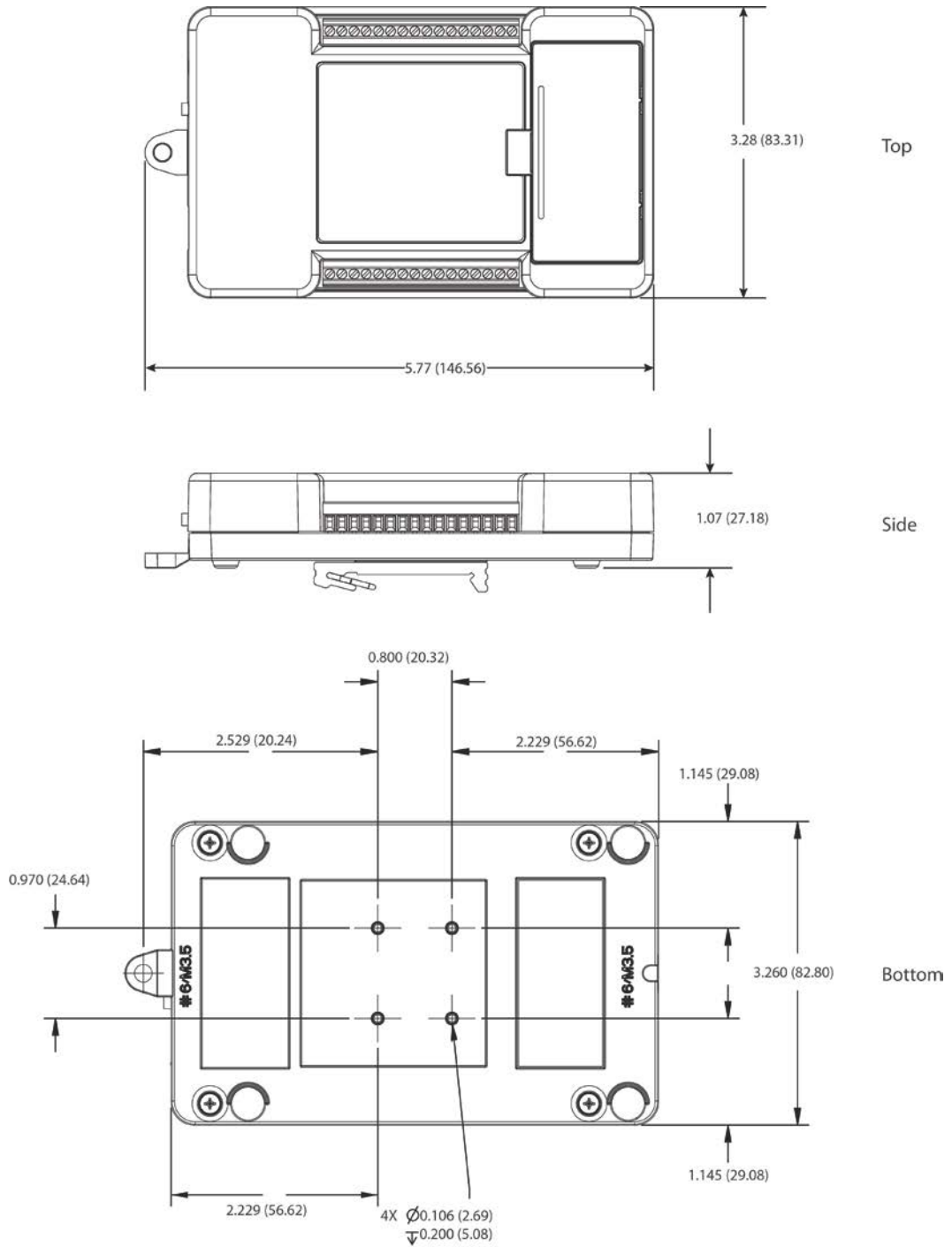


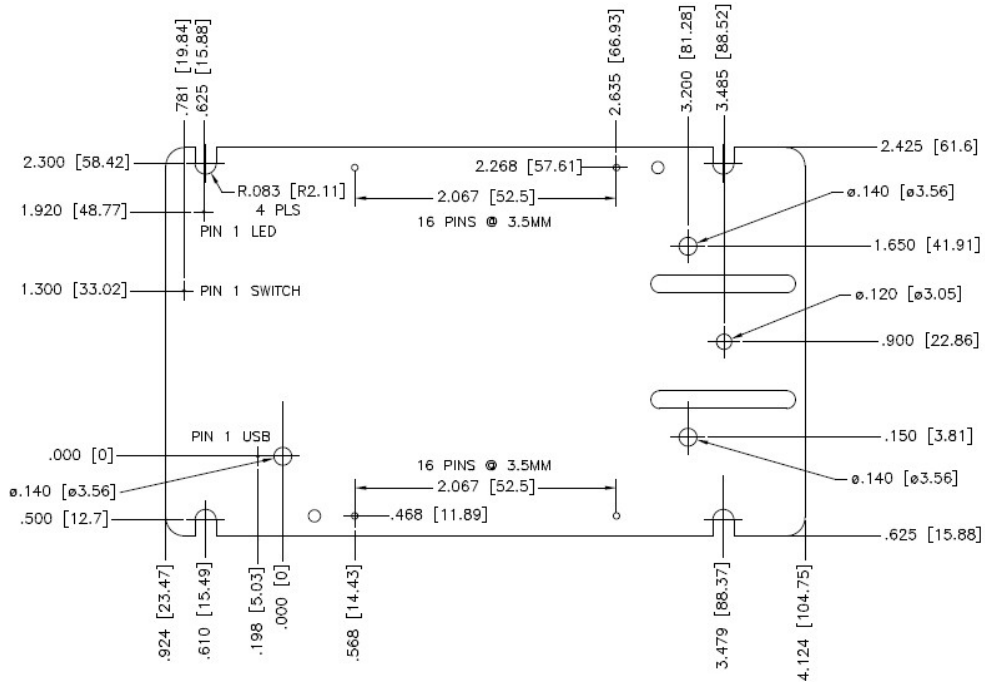
BTH-1208LS Mechanical Drawings

Standard version



Use the four 20 x 0.5 Phillips pan-head Plastite® screws provided to attach the mounting kit to the BTH-1208LS

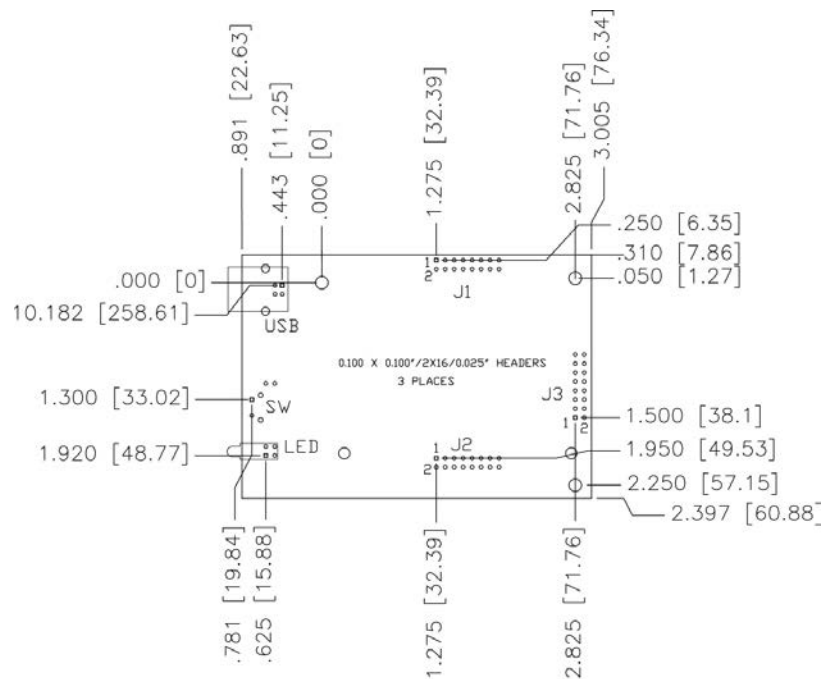
Standard version housing



MAX.COMPONENT HEIGHT;
 TOP 0.545"
 BOTTOM 0.125"

Standard version circuit board

OEM version



MAX.COMPONENT HEIGHT;
 TOP 0.545"
 BOTTOM 0.125"

OEM version circuit board