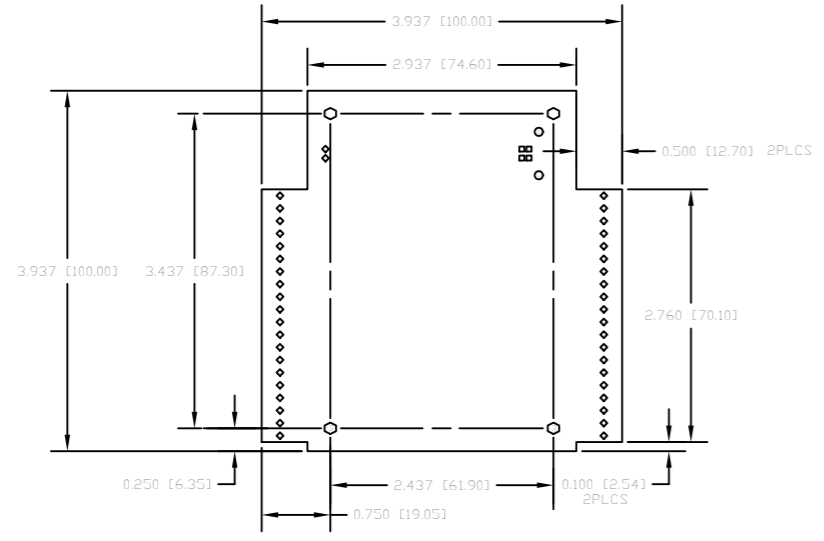


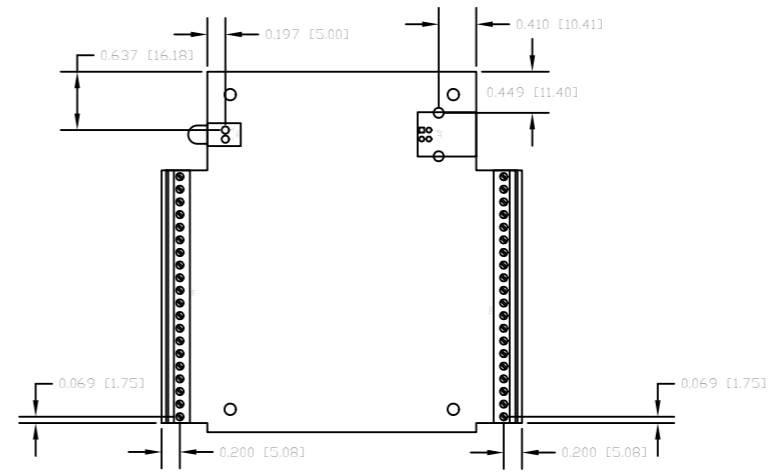
THIS DRAWING CONTAINS PROPRIETARY INFORMATION WHICH IS THE CONFIDENTIAL PROPERTY OF DATA TRANSLATION, INC. IT SHALL NOT BE COPIED, REPRODUCED, DISCLOSED, PUBLISHED OR USED IN THE WHOLE OR IN PART WITHOUT THE EXPRESS WRITTEN PERMISSION OF DATA TRANSLATION, INC.

REVISIONS					
OWN	CR	DESCRIPTION	CHECKED	DATE	APPROVED
SB	0	INITIAL RELEASE		3-10-08	
SB	1	REVISED PER ECO 11093		8-5-08	

PCB DIMENSIONS AND HOLE LOCATIONS



COMPONENT LOCATIONS



NOTES:
1. MATERIAL: .062 +/- .006 THICK, FR4.

MAXIMUM COMPONENT HEIGHT
COMPONENT SIDE = .453 [11.5]
SOLDER SIDE = .100 [2.54]

COMPONENT CHART			
REF DES	MANUFACTURER	MANUFACTURER P/N	DT P/N
CR5	LUMEX	SSF-LXH100MLGD	20690
J2	TYCO	292304-2	17257
TB1,2	PHENIX CONTACT	1709678	21414

DRILL CHART			
ALL UNITS ARE IN MILS			
FIGURE	SIZE	PLATED	QTY
•	13.0	PLATED	601
▲	32.0	PLATED	21
■	35.0	PLATED	4
◆	55.0	PLATED	42
○	90.0	PLATED	2
⊙	125.0	PLATED	1
⊖	125.0	NON-PLATED	3

---+0.02/-0.03

PCB CHART	
P/N	REV
20734	1
20756	2
20997	3
21236	0
21543	0
21575	1
22590	1

DO NOT SCALE DRAWING REMOVE ALL BURRS AND SHARP EDGES		DRAWN S.BORDEN	DATE 03-10-08	DATA TRANSLATION MARLBOROUGH MASSACHUSETTS 01752 SALES DRAWING ECON SERIES		
UNLESS OTHERWISE SPECIFIED DIMENSIONS ARE IN INCHES		CHECKED	DATE			TITLE
TOLERANCES XX .XX X .X Ø .000		APPROVED	DATE			
MATERIAL	FINISH	DRAWING NO. 22578		REV. 1		
SCALE	DATE	SHEET 1 OF 1				