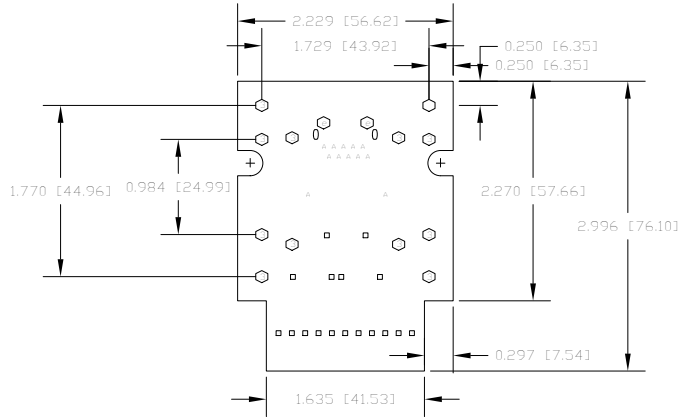


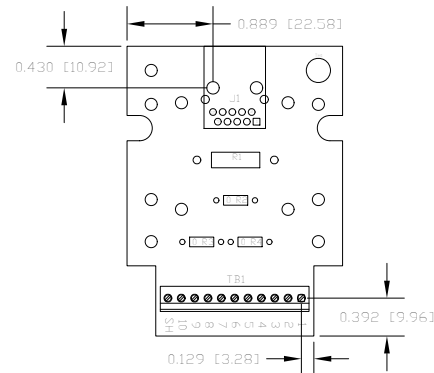
THIS DRAWING CONTAINS PROPRIETARY INFORMATION WHICH IS THE CONFIDENTIAL PROPERTY OF DATA TRANSLATION, INC. IT SHALL NOT BE COPIED, REPRODUCED, DISCLOSED, PUBLISHED OR USED IN THE WHOLE OR IN PART WITHOUT THE EXPRESSED WRITTEN PERMISSION OF DATA TRANSLATION, INC.

		REVISIONS		CHECKED	DATE	APPROVED
DWN	LTR	DESCRIPTION				
SB	0	INITIAL RELEASE			3-9-12	

PCB DIMENSIONS AND HOLE LOCATIONS



COMPONENT LOCATIONS



MAXIMUM COMPONENT HEIGHT
COMPONENT SIDE = .550 [13.97]
SOLDER SIDE = .100 [2.54]

DIN MOUNT BASE = PHOENIX CONTACT P/N 1201578 (2 PER)
ENCLOSURE = HAMMOND MANUFACTURING P/N 1593K8K

NOTES:

- MATERIAL: .062 +/- .005 THICK, FR-370HR LAMINATE AND PCL-FRP-370HR PREPREG, OR EQUIVALENT

COMPONENT CHART			
REF DES	MANUFACTURER	MANUFACTURER P/N	DT P/N
J1	TYCO	5558067-1	24280
TB1	PHOENIX CONTACT	1751332	24824

DRILL CHART: TOP to BOTTOM			
ALL UNITS ARE IN MILS			
FIGURE	SIZE	PLATED	QTY
□	35.0	PLATED	6
△	40.0	PLATED	12
□	44.0	PLATED	11
0	62.0	PLATED	2
○	125.0	PLATED	1
○	125.0	NON-PLATED	11
○	128.0	NON-PLATED	2

PCB CHART	
P/N	REV
24805	0

DO NOT SCALE DRAWING REMOVE ALL BURRS AND SHARP EDGES	DRAWN S. BORDEN	DATE 3-9-12
UNLESS OTHERWISE SPECIFIED DIMENSIONS ARE IN INCHES TOLERANCES	CHECKED	DATE
XX ±.01	APPROVED	DATE
XXX ±.005	APPROVED	DATE
MATERIAL SEE NOTE 1	FINISH SEE NOTES	
NEXT ASSY	USED DN	
NEXT ASSY	USED DN	

DATA TRANSLATION			
MARLBOROUGH MASSACHUSETTS		01752	
TITLE SALES DRAWING STP-STRAIN			
SIZE C	CODE IDENT NO XXXXXX	DRAWING NO 24854	REV 0
SCALE 1:1		SHEET 1 OF 1	