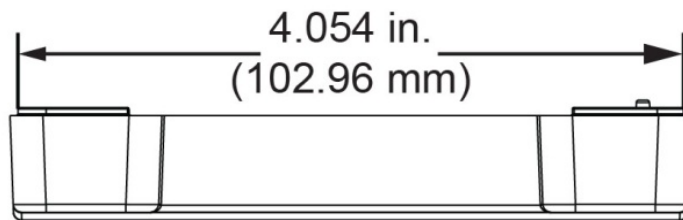
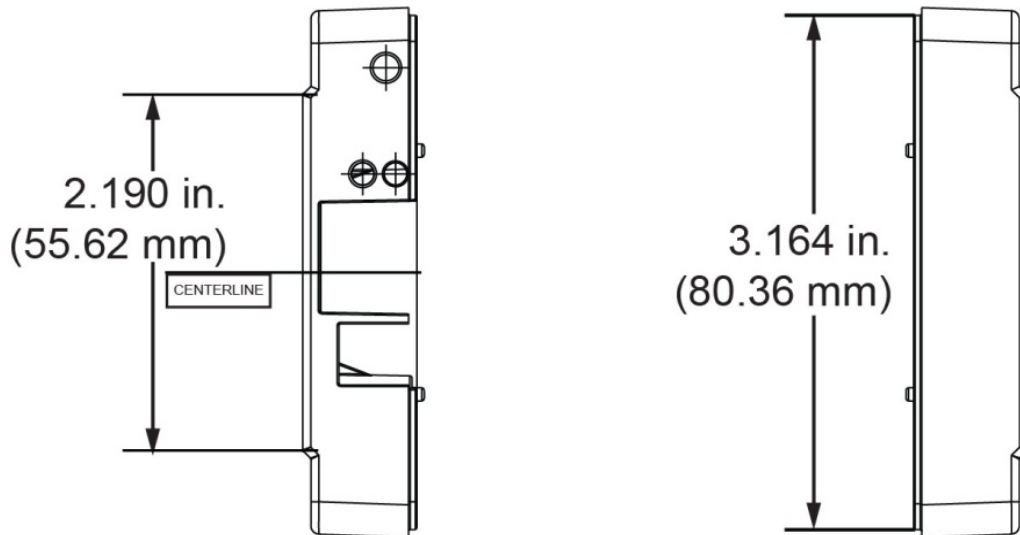
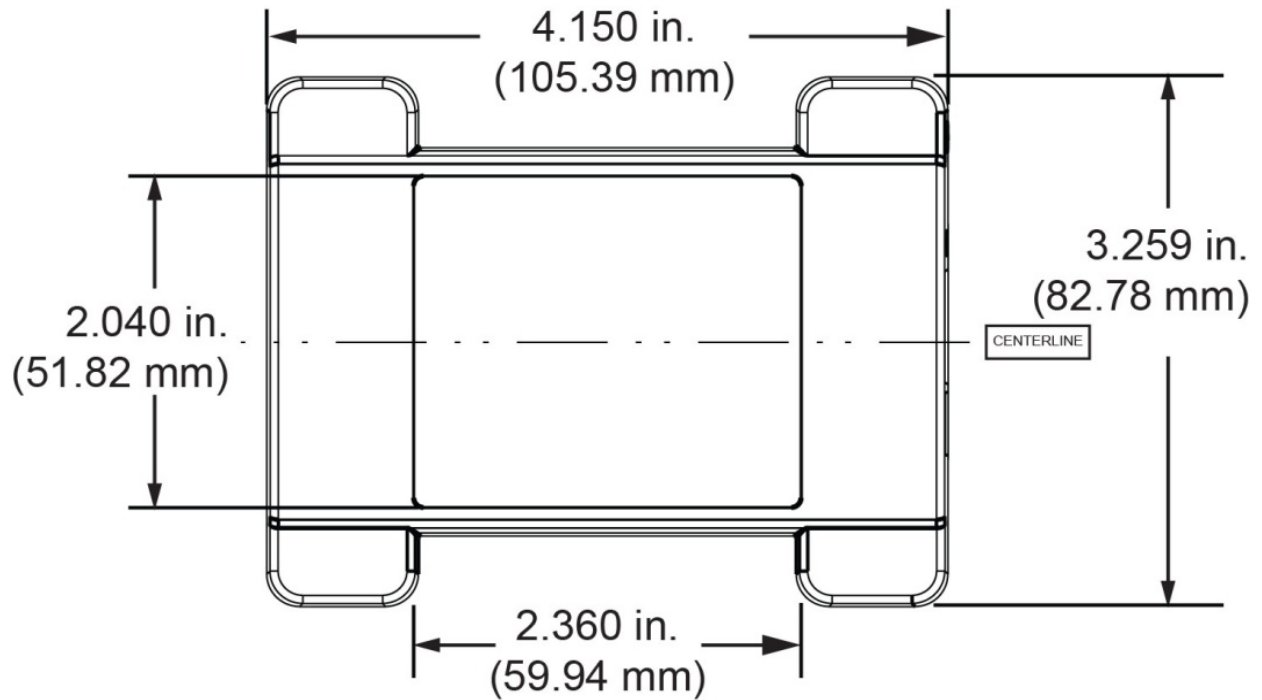
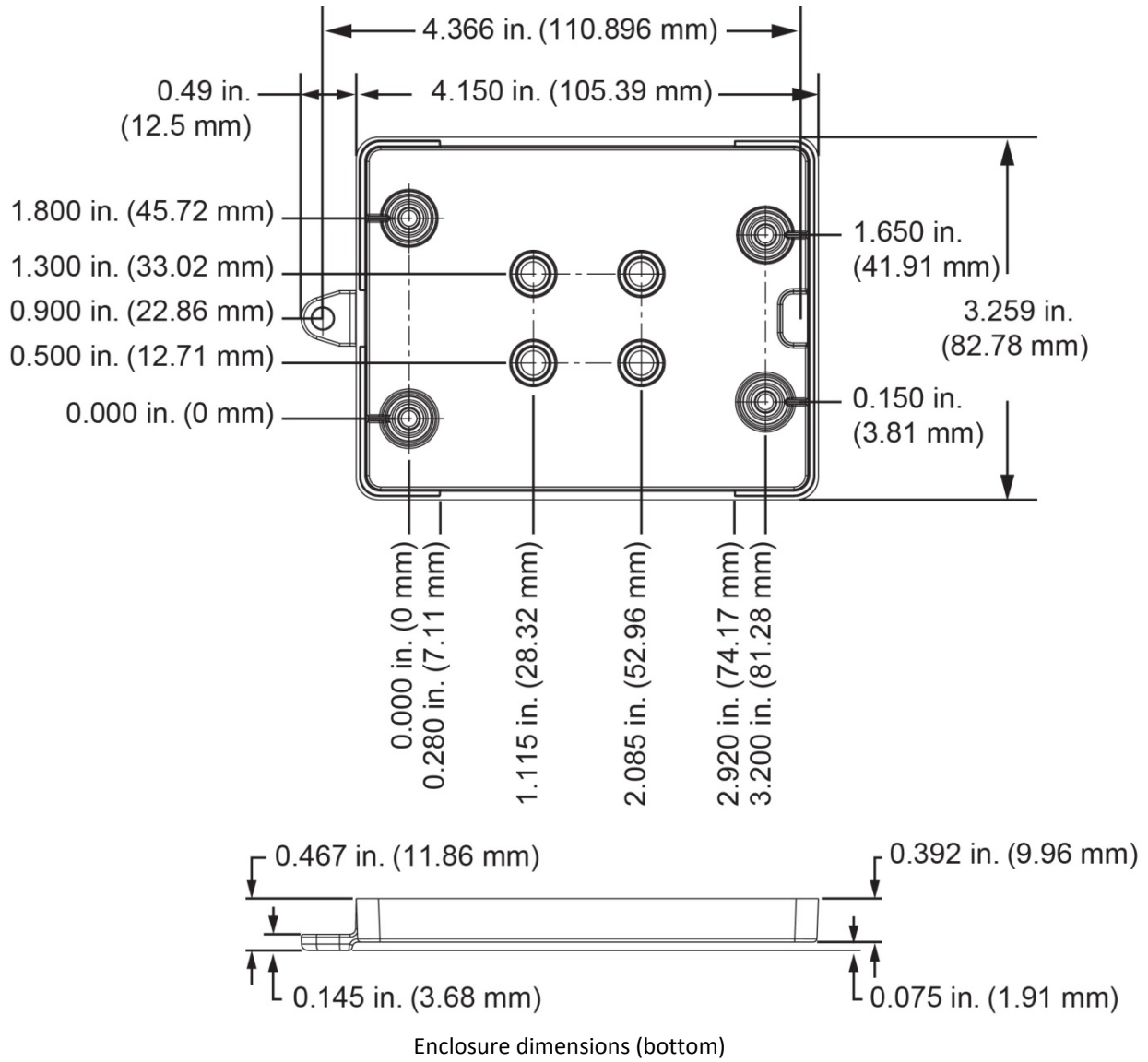


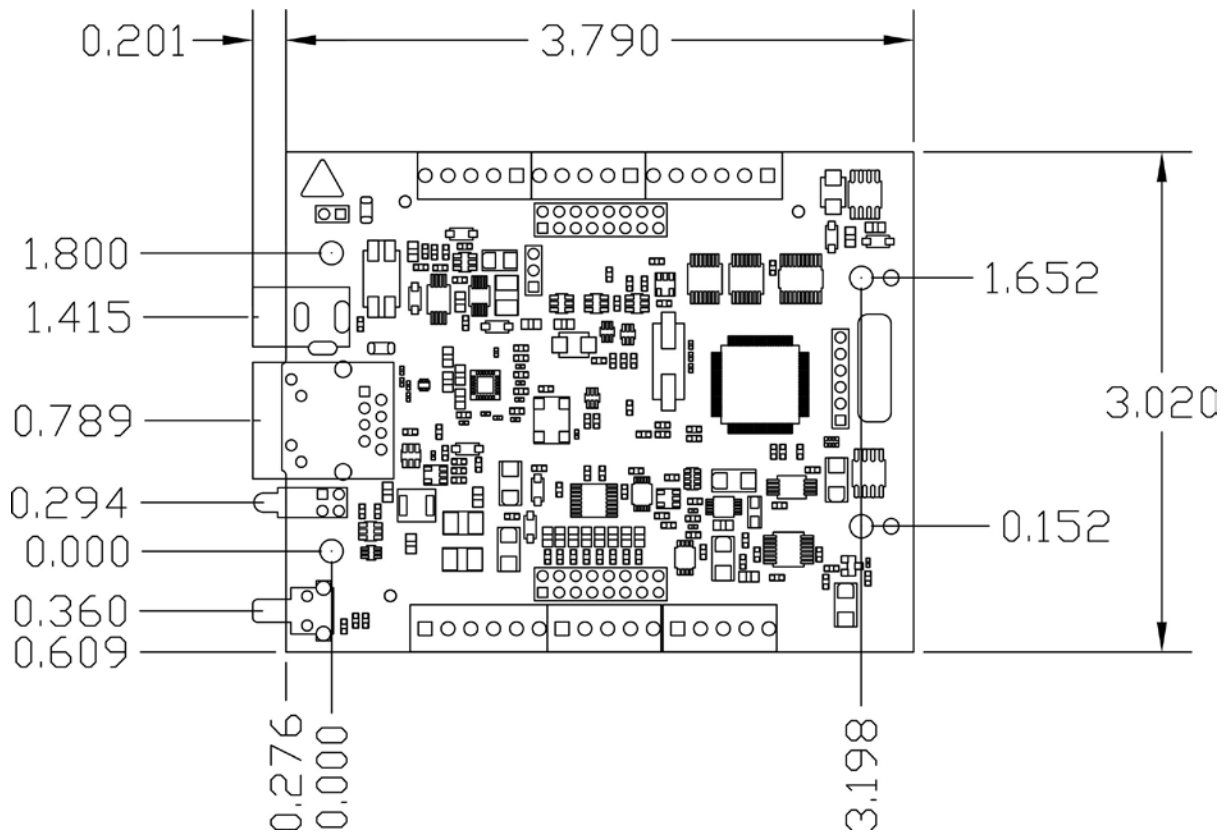
E-1608 Mechanical Drawings

Standard version



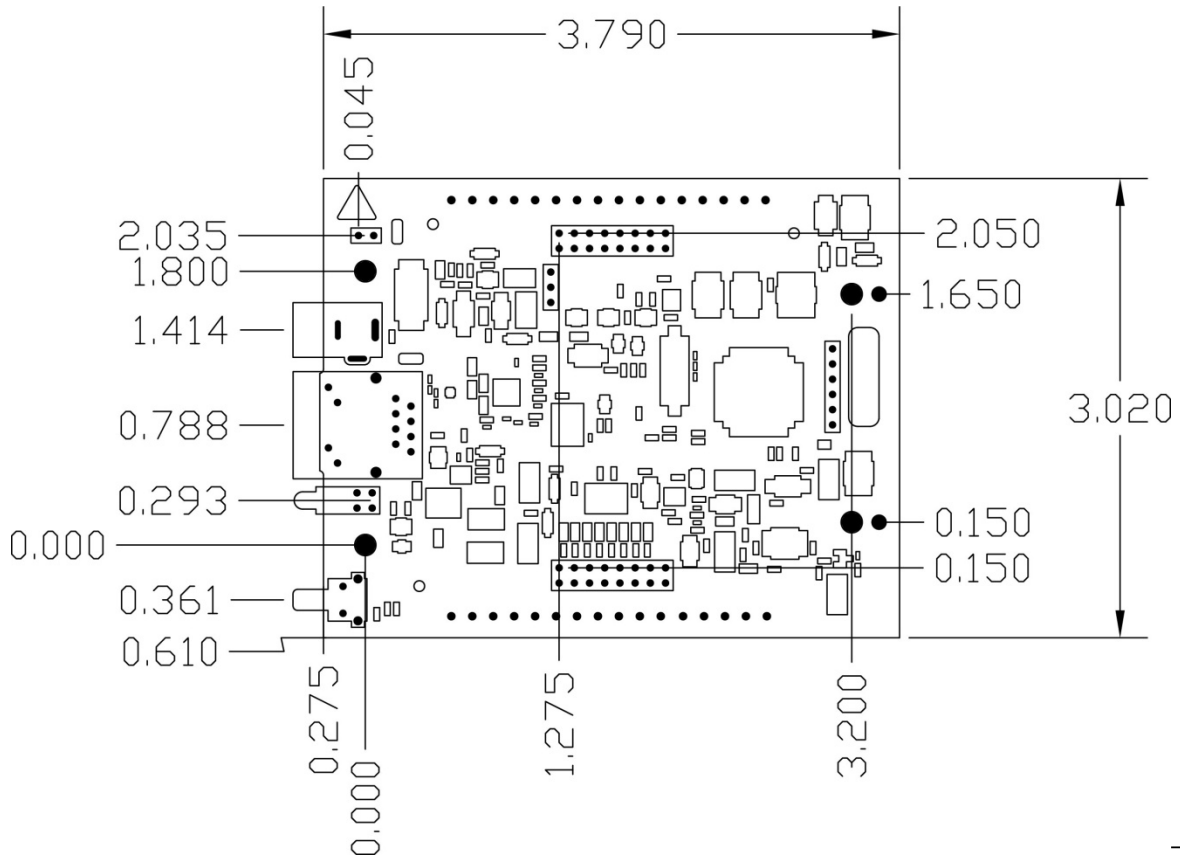
Enclosure dimensions (top)





Circuit board dimensions

OEM version



Circuit board dimensions (OEM)