

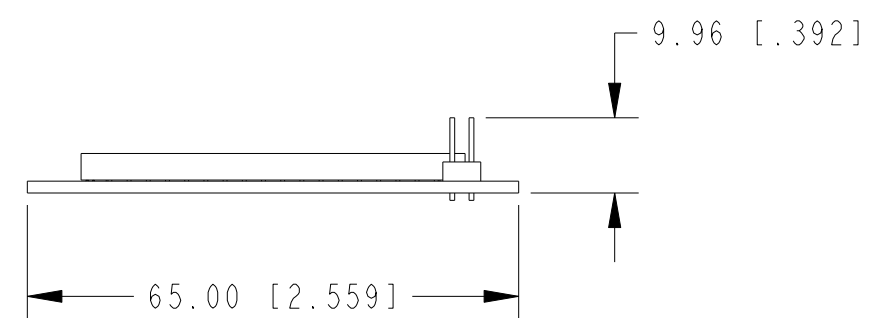
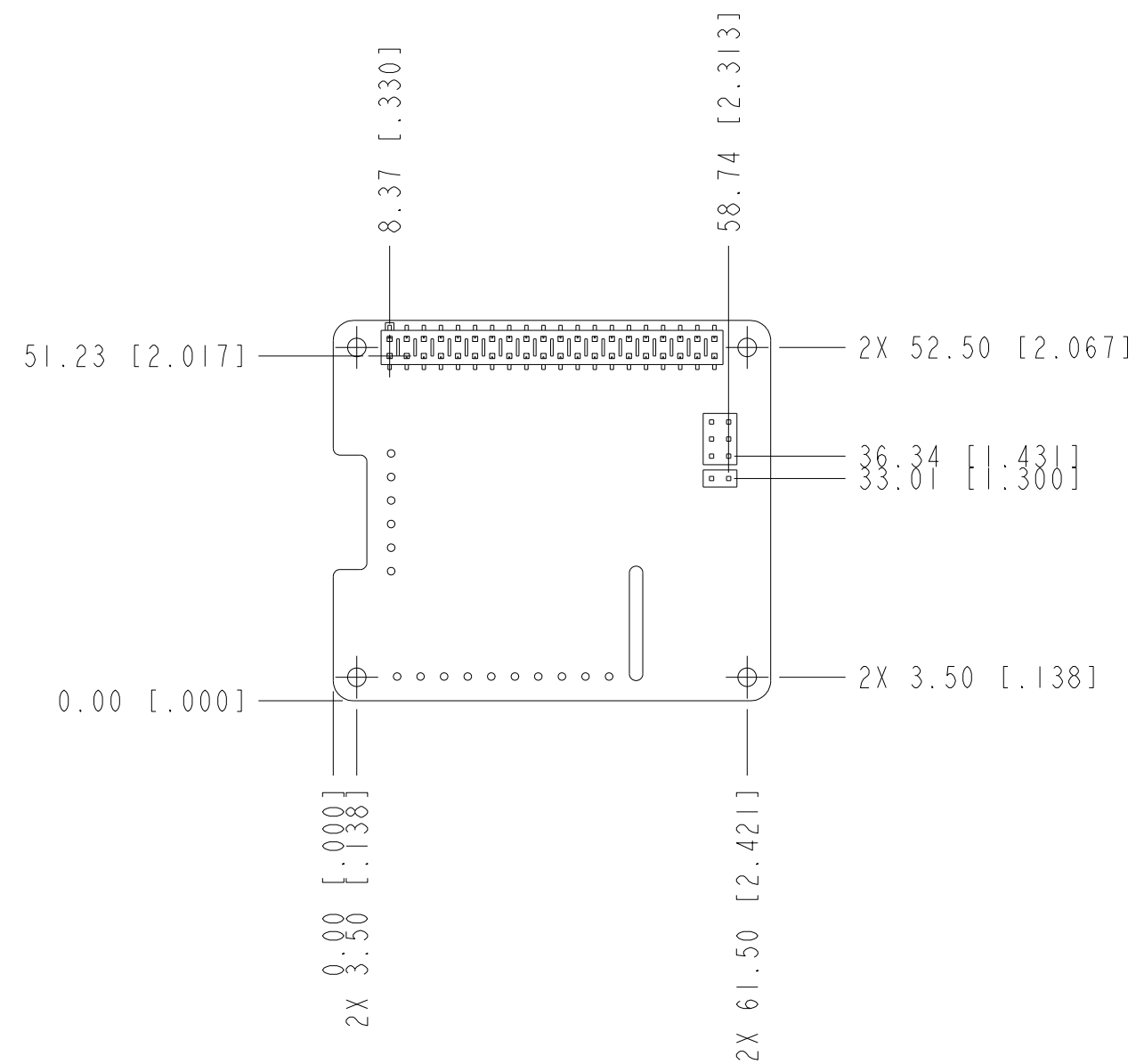
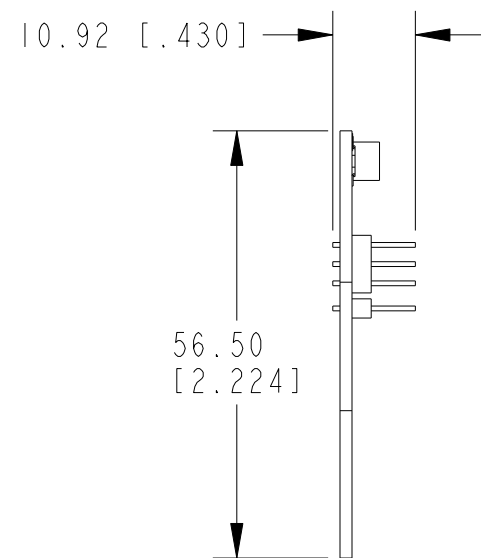
4

3

2

1

COPYRIGHT ©2019
MEASUREMENT COMPUTING CORPORATION AND ITS LICENSORS. ALL RIGHTS RESERVED.



METRIC

CUSTOMER DRAWING

UNLESS OTHERWISE SPECIFIED
DIMENSIONS ARE IN MILLIMETERS
AND [INCHES]

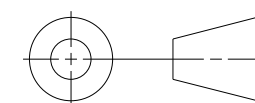


DO NOT SCALE DRAWING

TITLE

MCC 118 OEM

THIRD ANGLE PROJECTION



SIZE CODE IDENT NO. MM/DD/YYYY

C 7U296

10/18/19

SCALE: 1/1

SHEET 1 OF 1

1. REFER TO PRODUCT MANUAL ON MCCDAQ.COM FOR MORE DETAILS

4

3

2

1