

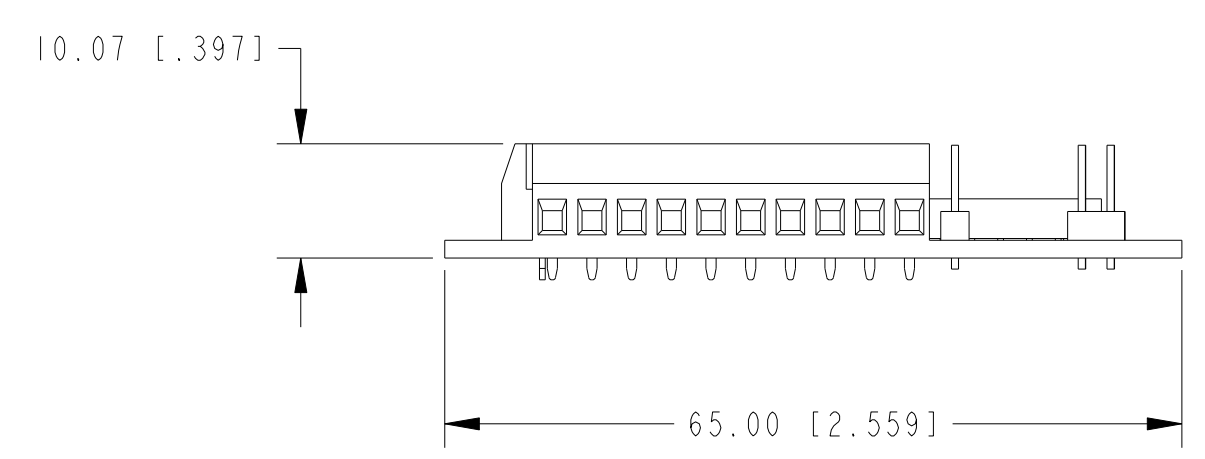
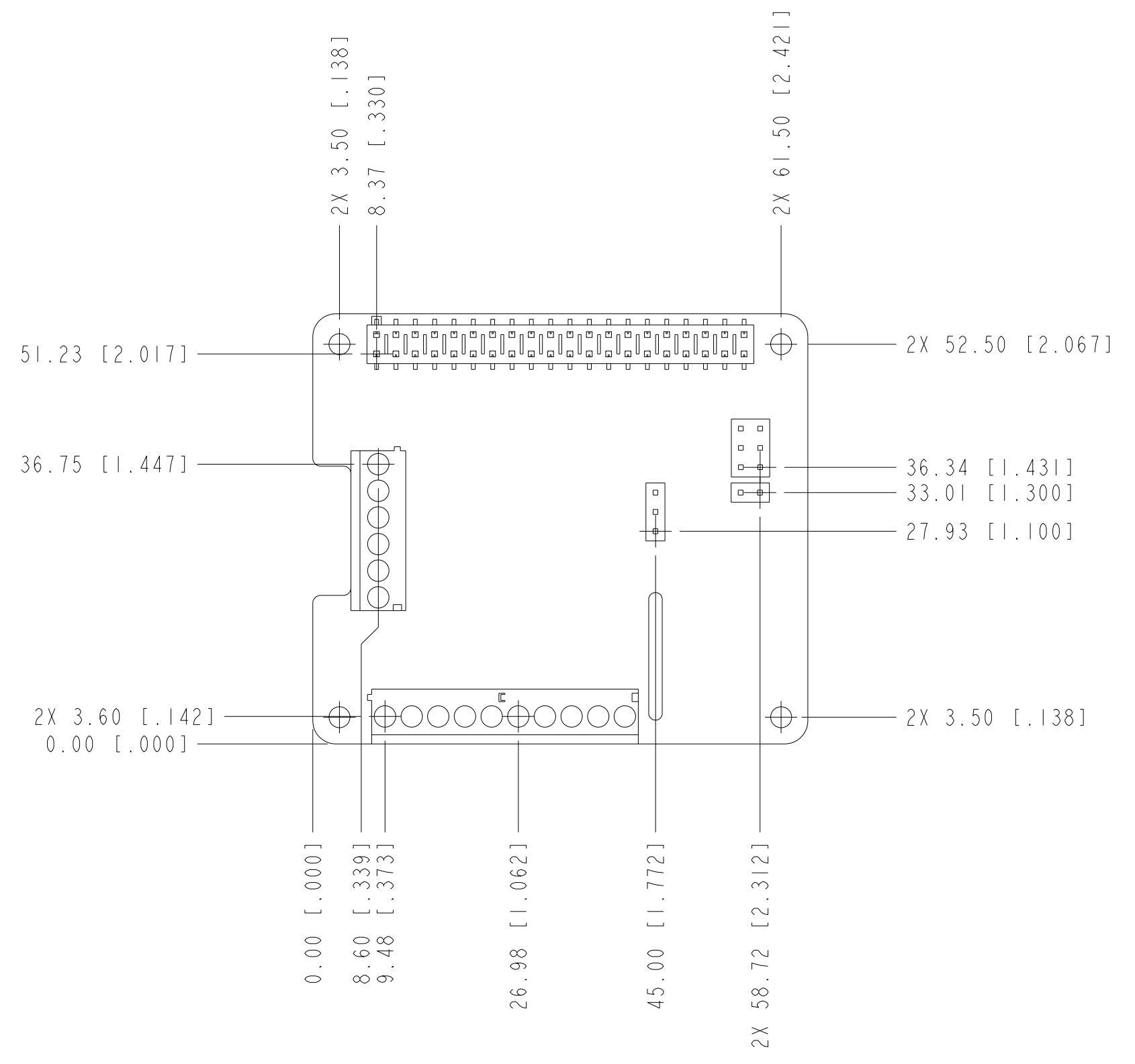
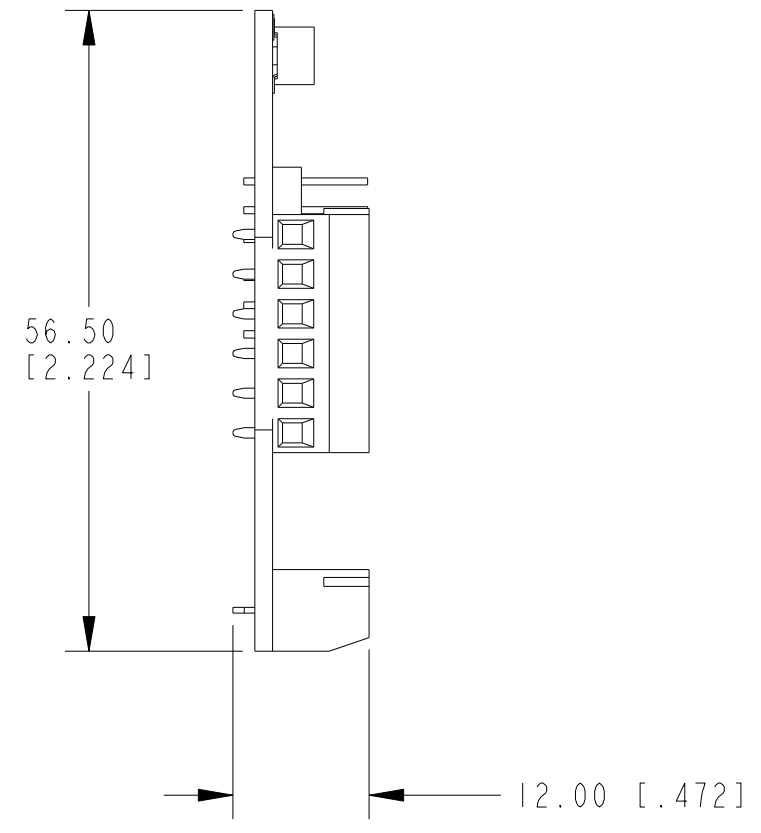
4

3

2

1

COPYRIGHT ©2019 MEASUREMENT COMPUTING CORPORATION AND ITS LICENSORS. ALL RIGHTS RESERVED.



METRIC

CUSTOMER DRAWING

UNLESS OTHERWISE SPECIFIED
DIMENSIONS ARE IN MILLIMETERS
AND [INCHES]

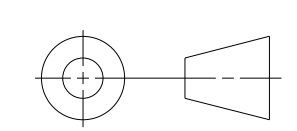
DO NOT SCALE DRAWING

THIRD ANGLE PROJECTION



TITLE

MCC 152



| | | | |
|--------|-------|-----------|------------|
| SIZE | CODE | IDENT NO. | MM/DD/YYYY |
| C | 7U296 | | 05/06/19 |
| SCALE: | 3/2 | SHEET | OF |

1. REFER TO PRODUCT MANUAL ON MCCDAQ.COM FOR MORE DETAILS

4

3

2

1