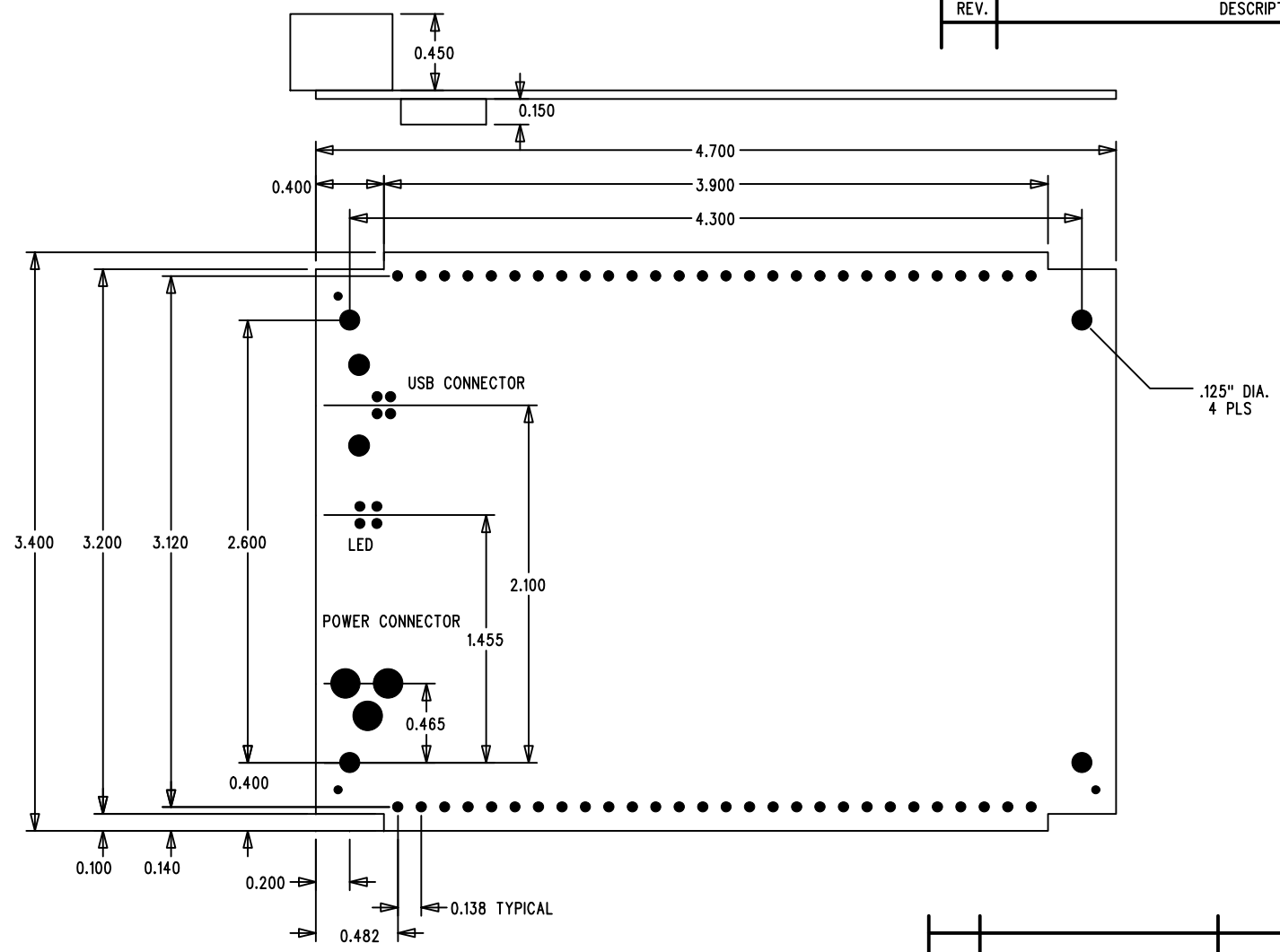



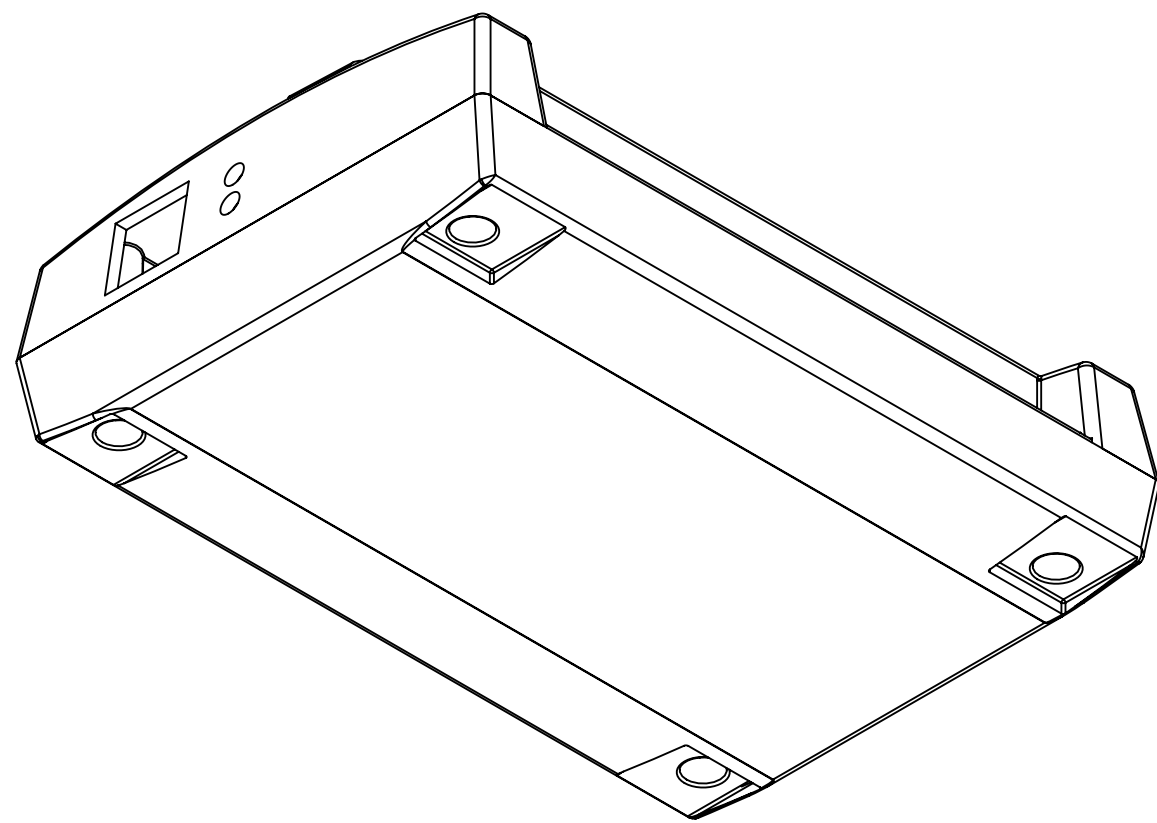
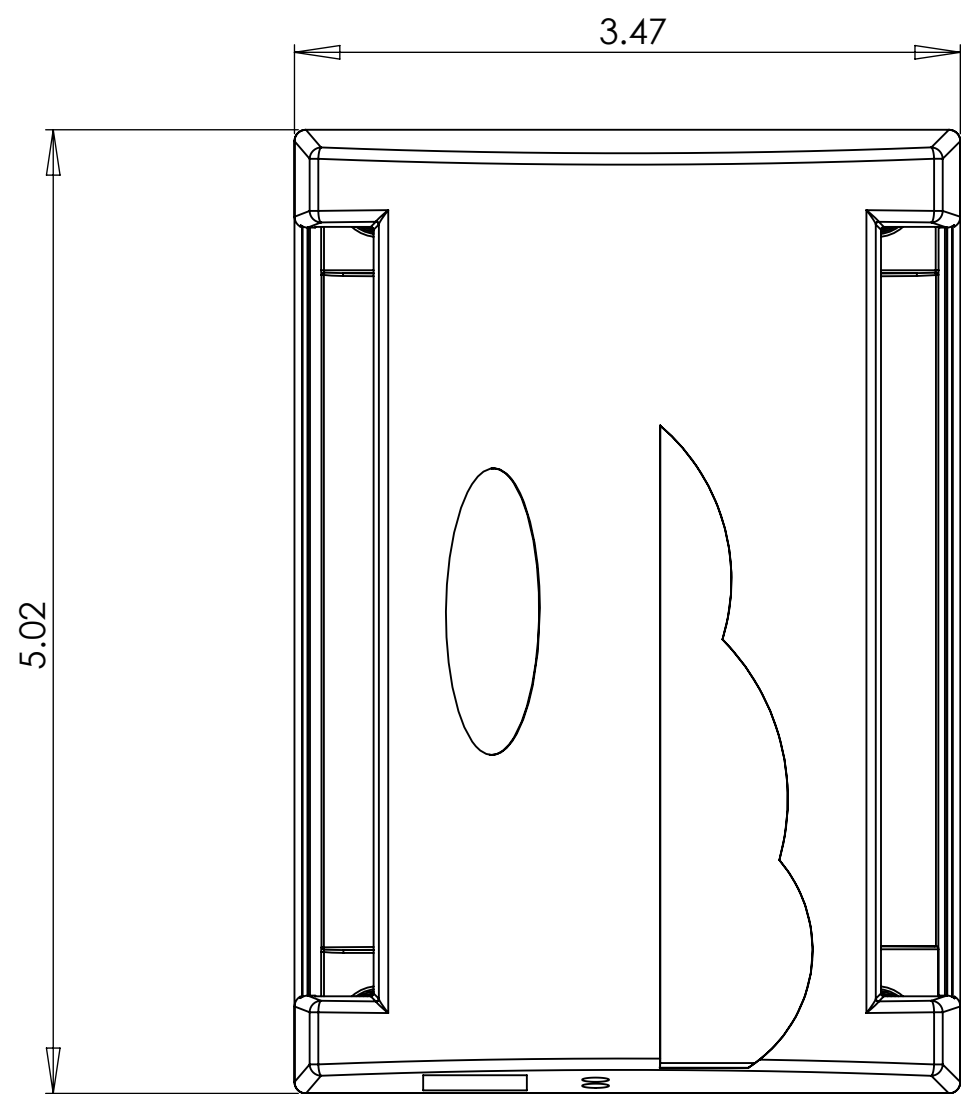
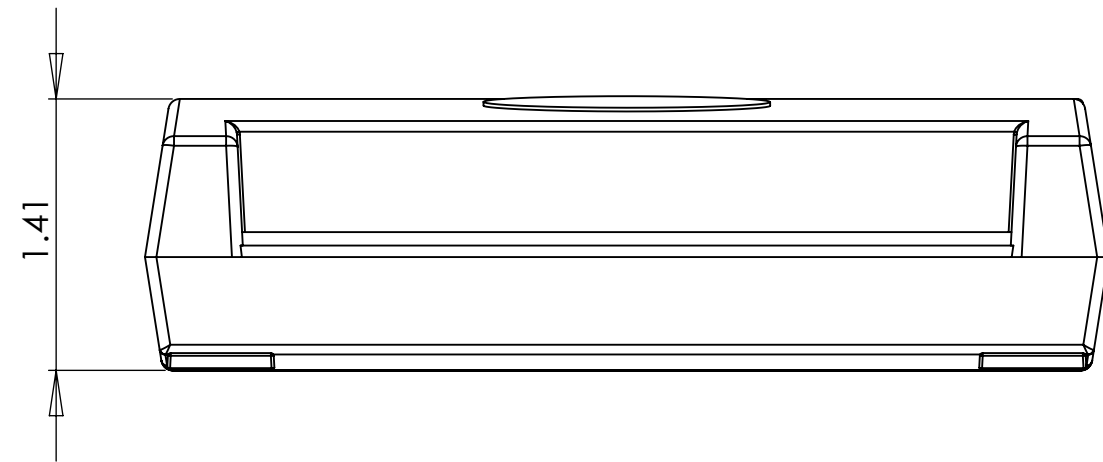
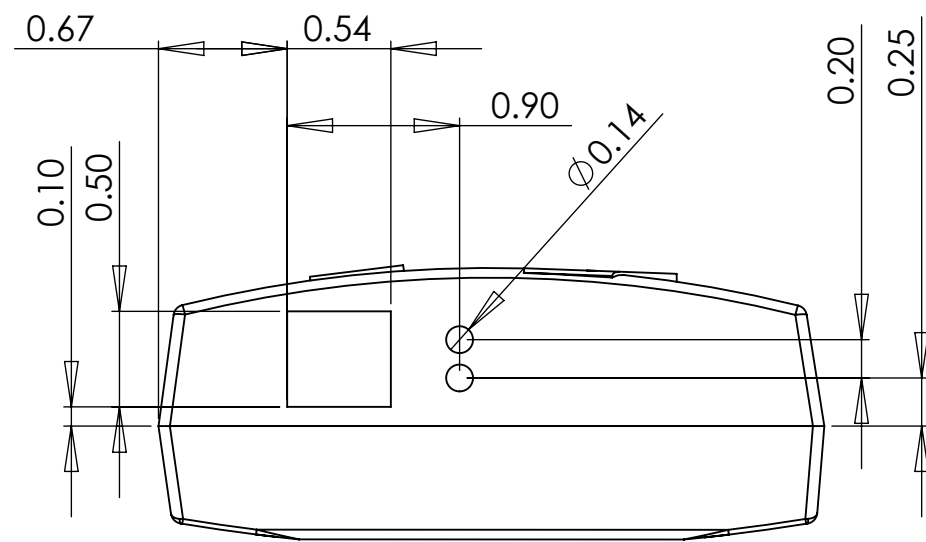
ECO RECORD			
REV.	DESCRIPTION	DATE	APPR



QTY	DESCRIPTION	PART NUMBER	MFR	ITEM
 MEASUREMENT COMPUTING™ NORTON, MA 02766				
BOARD OUTLINE - USB/WLS PRODUCTS				

TOLERANCES; .XX = +/- .01 .XXX = +/- .005 DIMENSIONS IN INCHES	SIZE	DRAWING NUMBER	REV
	A	BO-USBMECH	1

MEASUREMENT COMPUTING CORPORATION - COPYRIGHT (C) 2000



- NOTES:
1. BASIC MOLD DIMENSIONS, MATERIAL & COLOR PER DRAWINGS HR-ENCMOLD-MCC.
  2. HOLE & CUTOUT DIMENSIONS FOR REFERENCE ONLY. VENDOR MOLD CAD DRAWINGS ON FILE.

PROPRIETARY AND CONFIDENTIAL  
 THE INFORMATION CONTAINED IN THIS  
 DRAWING IS THE SOLE PROPERTY OF  
 MEASUREMENT COMPUTING CORP. ANY  
 REPRODUCTION IN PART OR AS A WHOLE  
 WITHOUT THE WRITTEN PERMISSION OF  
 MEASUREMENT COMPUTING CORP IS  
 PROHIBITED.

		UNLESS OTHERWISE SPECIFIED:		NAME	DATE
		DIMENSIONS ARE IN INCHES	DRAWN		
		TOLERANCES:	CHECKED		
		FRACTIONAL $\pm$	ENG APPR.		
		ANGULAR: MATCH $\pm$ BEND $\pm$	MFG APPR.		
		TWO PLACE DECIMAL $\pm$	Q.A.		
		THREE PLACE DECIMAL $\pm$	COMMENTS:		
		INTERPRET GEOMETRIC TOLERANCING PER:			
		MATERIAL			
		FINISH			
NEXT ASSY	USED ON				
		APPLICATION			
		DO NOT SCALE DRAWING			

**MEASUREMENT COMPUTING**  
 NORTON, MA 02766

TITLE:  
**ENCLOSURE USB**

SIZE DWG. NO. REV  
**C HR-ENCUSB 2**

SCALE: 1:1 WEIGHT: SHEET 1 OF 1