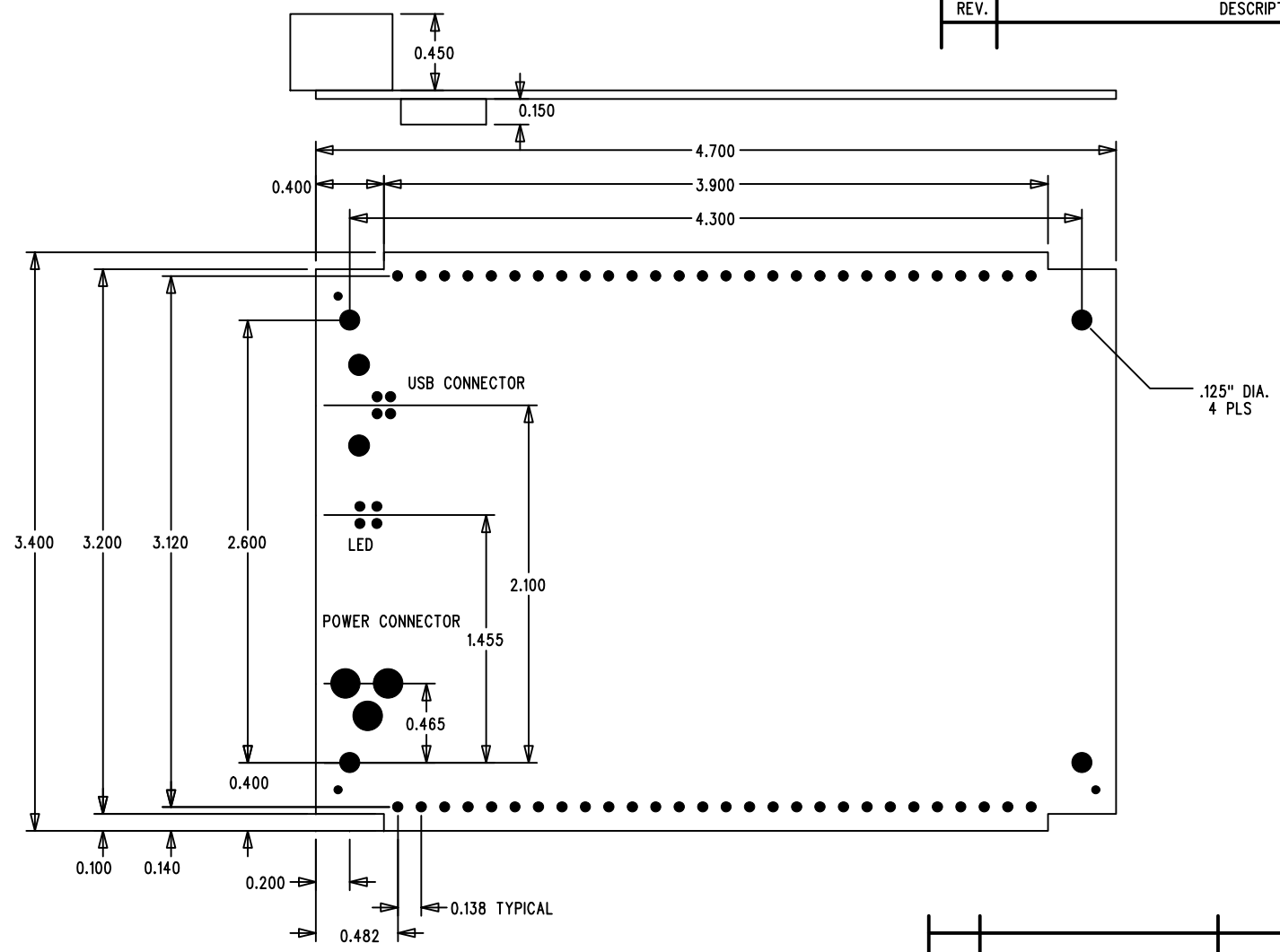

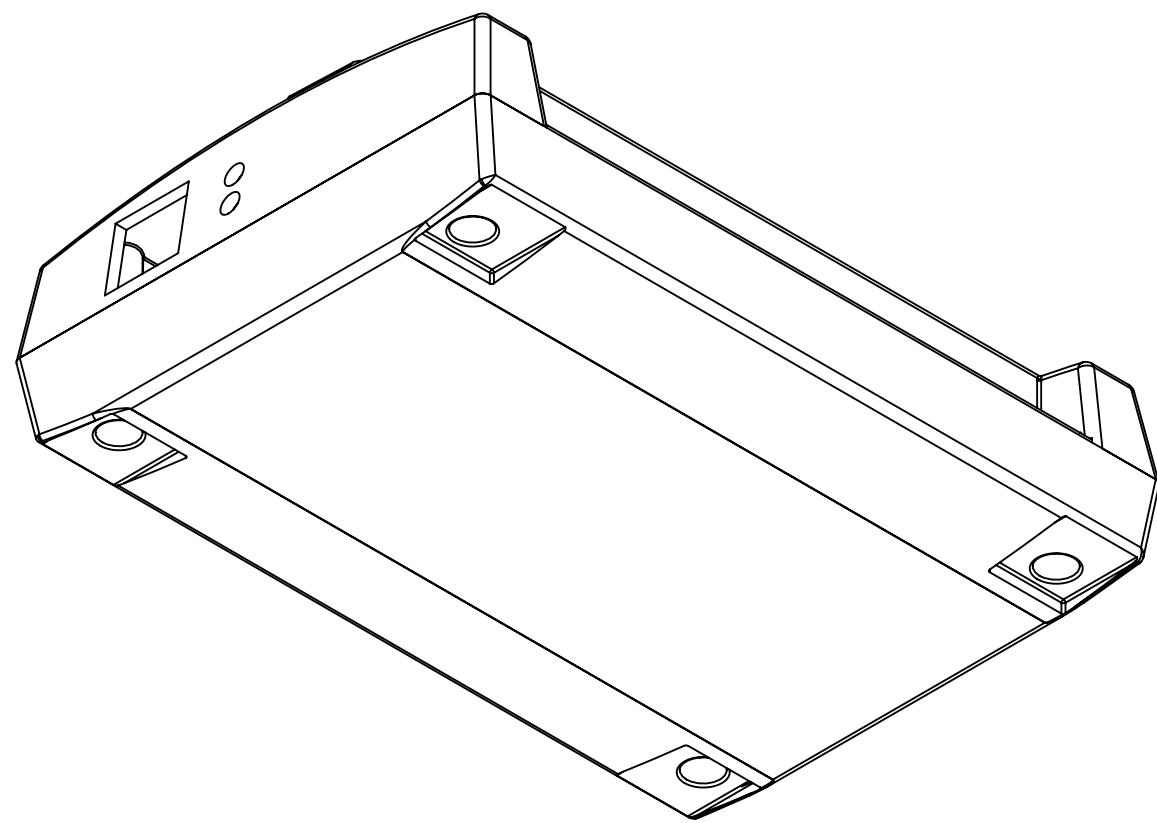
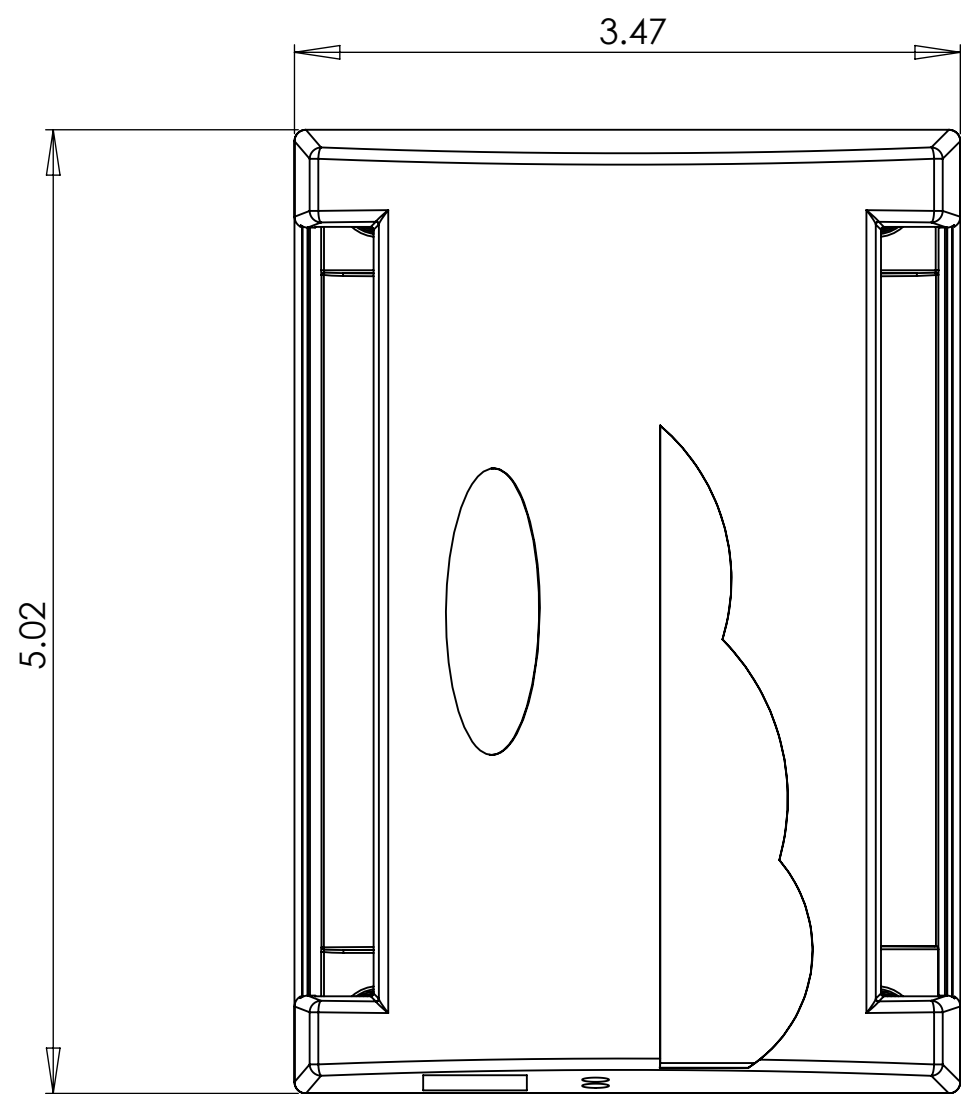
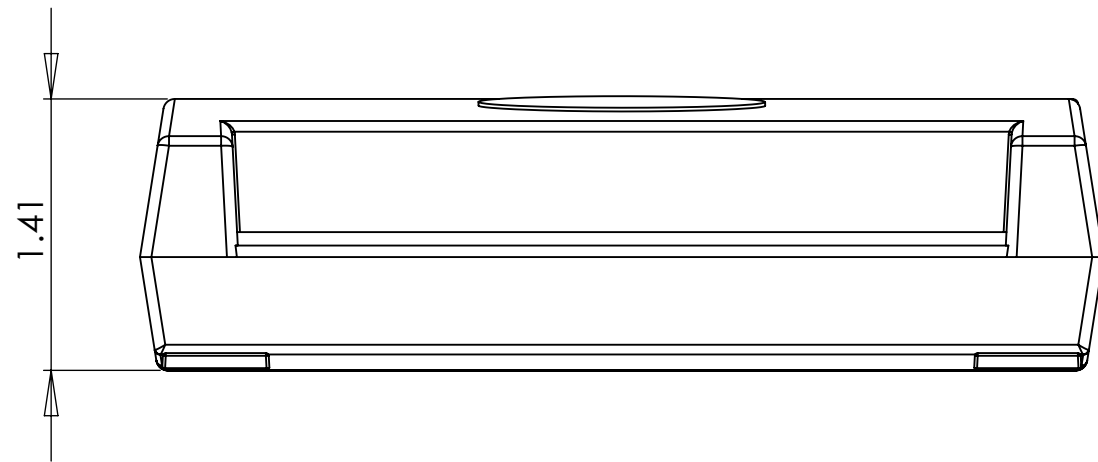
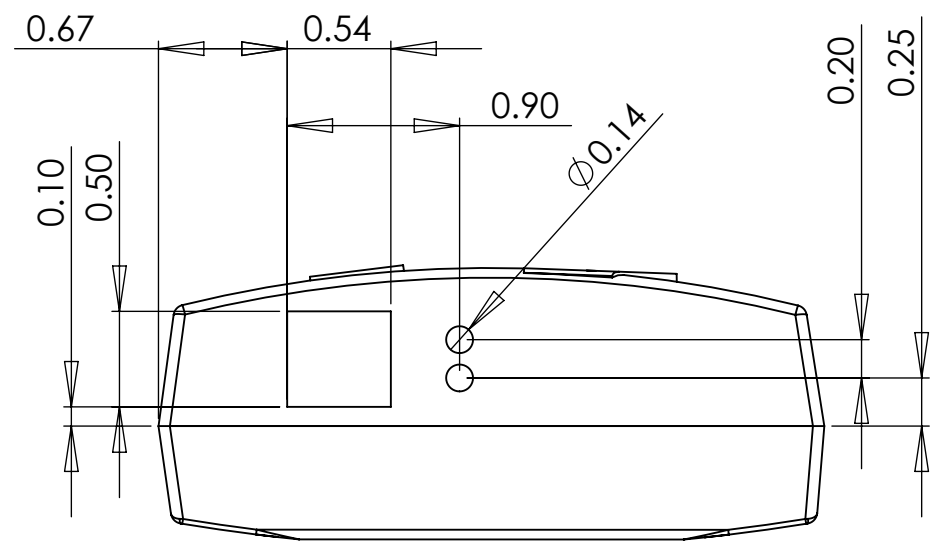


ECO RECORD			
REV.	DESCRIPTION	DATE	APPR



QTY	DESCRIPTION	PART NUMBER	MFR	ITEM
 MEASUREMENT COMPUTING™ NORTON, MA 02766				
BOARD OUTLINE - USB/WLS PRODUCTS				

TOLERANCES; .XX = +/- .01 .XXX = +/- .005 DIMENSIONS IN INCHES	SIZE	DRAWING NUMBER	REV
	A	BO-USBMECH MEASUREMENT COMPUTING CORPORATION - COPYRIGHT (C) 2000	1



- NOTES:
 1. BASIC MOLD DIMENSIONS, MATERIAL & COLOR PER DRAWINGS HR-ENCMOLD-MCC.
 2. HOLE & CUTOUT DIMENSIONS FOR REFERENCE ONLY. VENDOR MOLD CAD DRAWINGS ON FILE.

PROPRIETARY AND CONFIDENTIAL
 THE INFORMATION CONTAINED IN THIS DRAWING IS THE SOLE PROPERTY OF MEASUREMENT COMPUTING CORP. ANY REPRODUCTION IN PART OR AS A WHOLE WITHOUT THE WRITTEN PERMISSION OF MEASUREMENT COMPUTING CORP IS PROHIBITED.

UNLESS OTHERWISE SPECIFIED:		NAME	DATE
DIMENSIONS ARE IN INCHES		DRAWN	
TOLERANCES:		CHECKED	
FRACTIONAL ±		ENG APPR.	
ANGULAR: MACH ± BEND ±		MFG APPR.	
TWO PLACE DECIMAL ±		Q.A.	
THREE PLACE DECIMAL ±		COMMENTS:	
INTERPRET GEOMETRIC TOLERANCING PER:			
MATERIAL			
FINISH			
NEXT ASSY	USED ON		
APPLICATION			
DO NOT SCALE DRAWING			



TITLE:
ENCLOSURE USB

SIZE DWG. NO. REV
C HR-ENCUSB **2**

SCALE: 1:1 WEIGHT: SHEET 1 OF 1