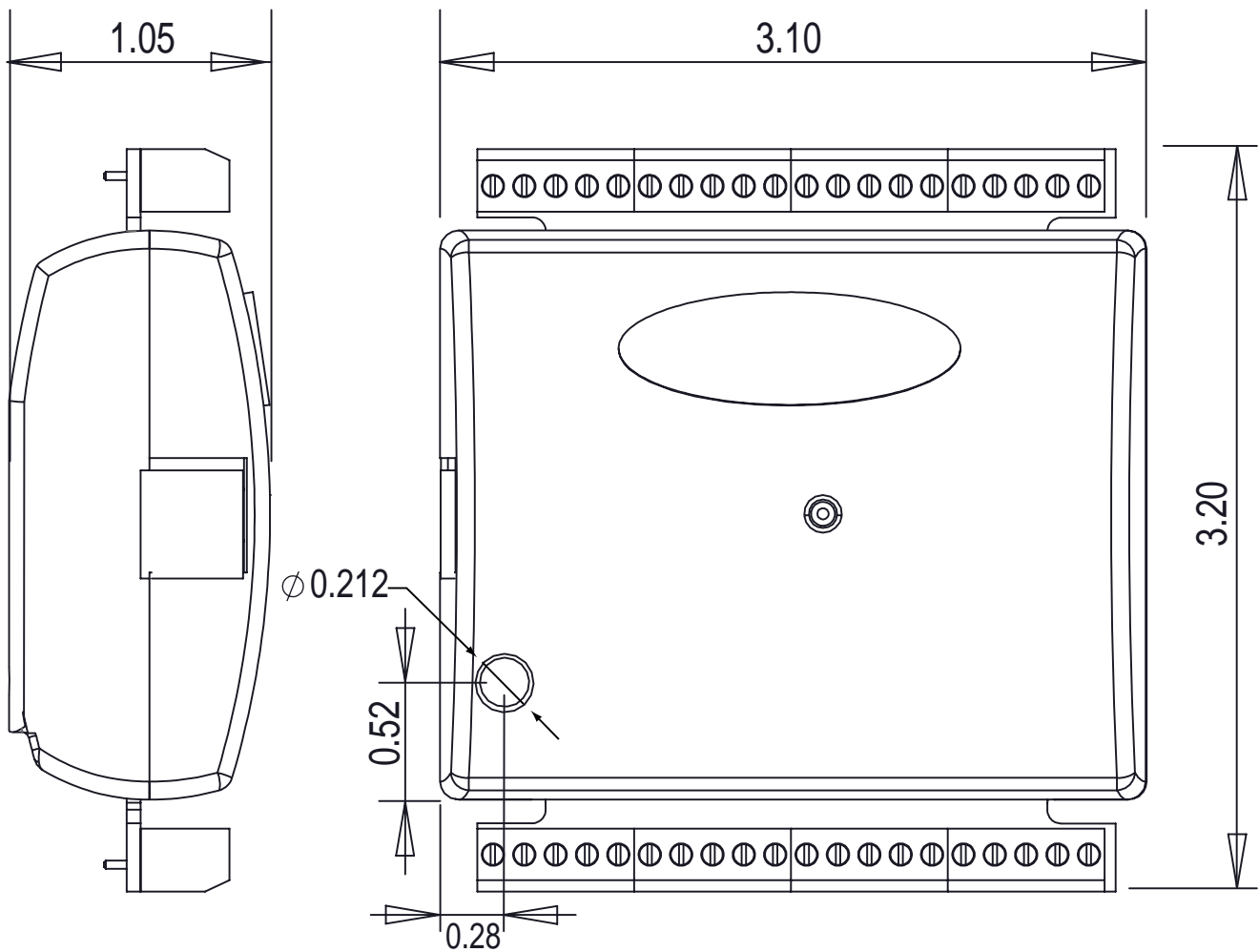


USB-1208LS/FS/1408FS Series Mechanical Drawings

The USB-1208LS/FS/1408FS Series includes the following devices:

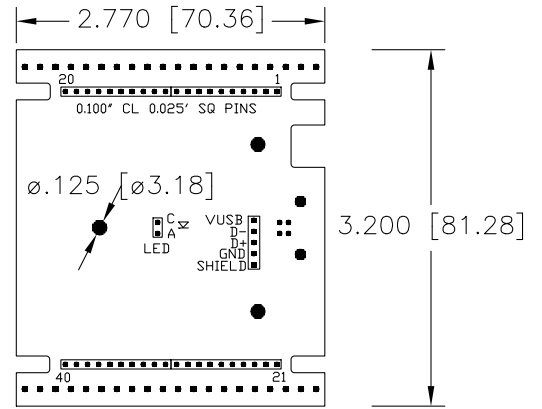
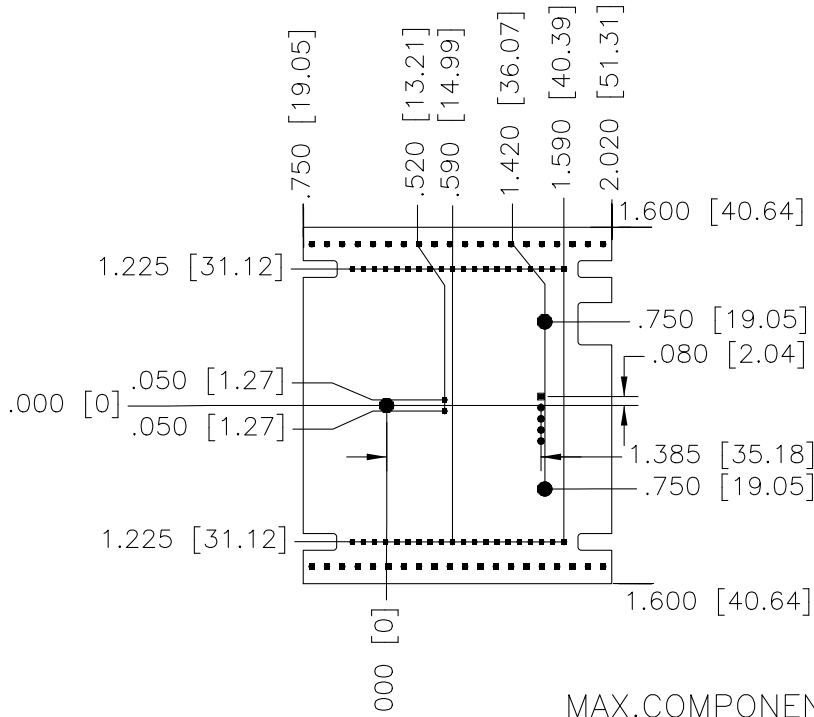
- USB-1208LS
- USB-1208FS, USB-1208FS-Plus, USB-1208FS-Plus-OEM
- USB-1408FS, USB-1408FS-Plus, USB-1408FS-Plus-OEM

Standard and -Plus versions



Standard and -Plus versions - housing

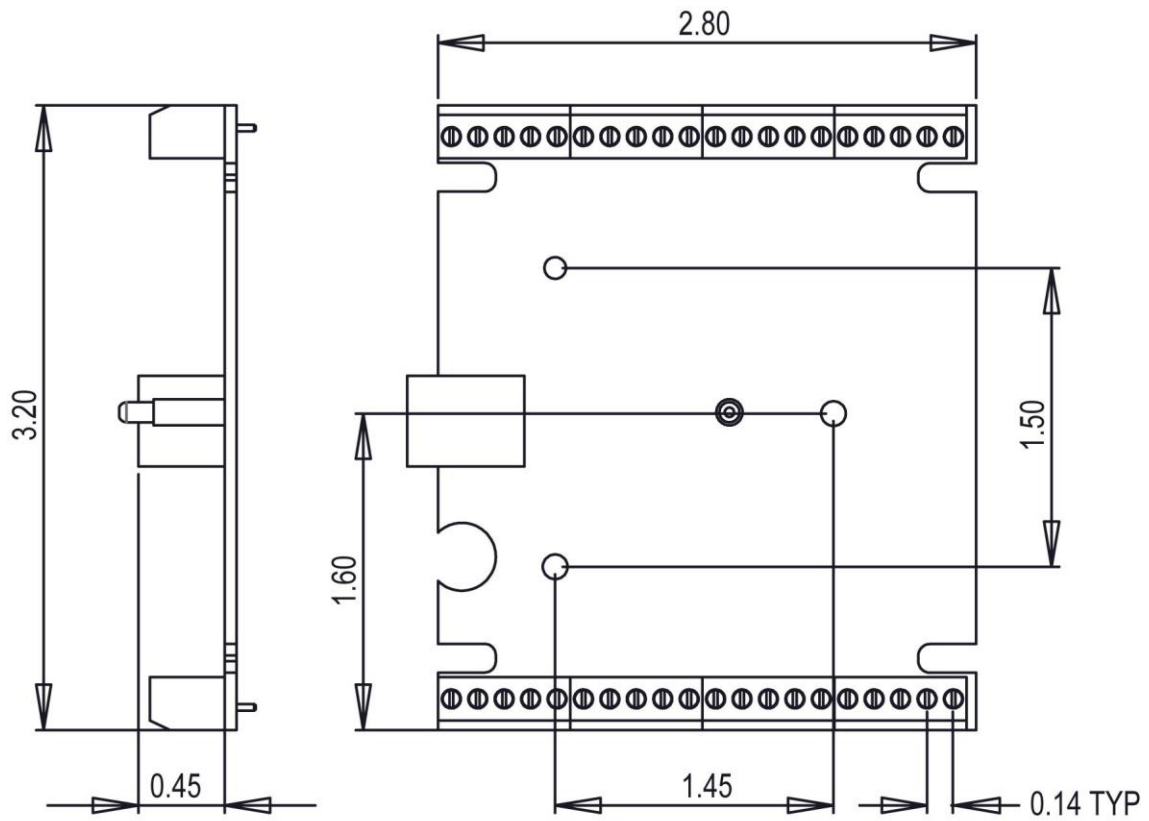
Standard and OEM version (excluding the USB-1208LS)



MAX.COMPONENT HEIGHT;
 TOP 0.545"
 BOTTOM 0.125"

Standard and OEM version circuit board

USB-1208LS



USB-1208LS circuit board