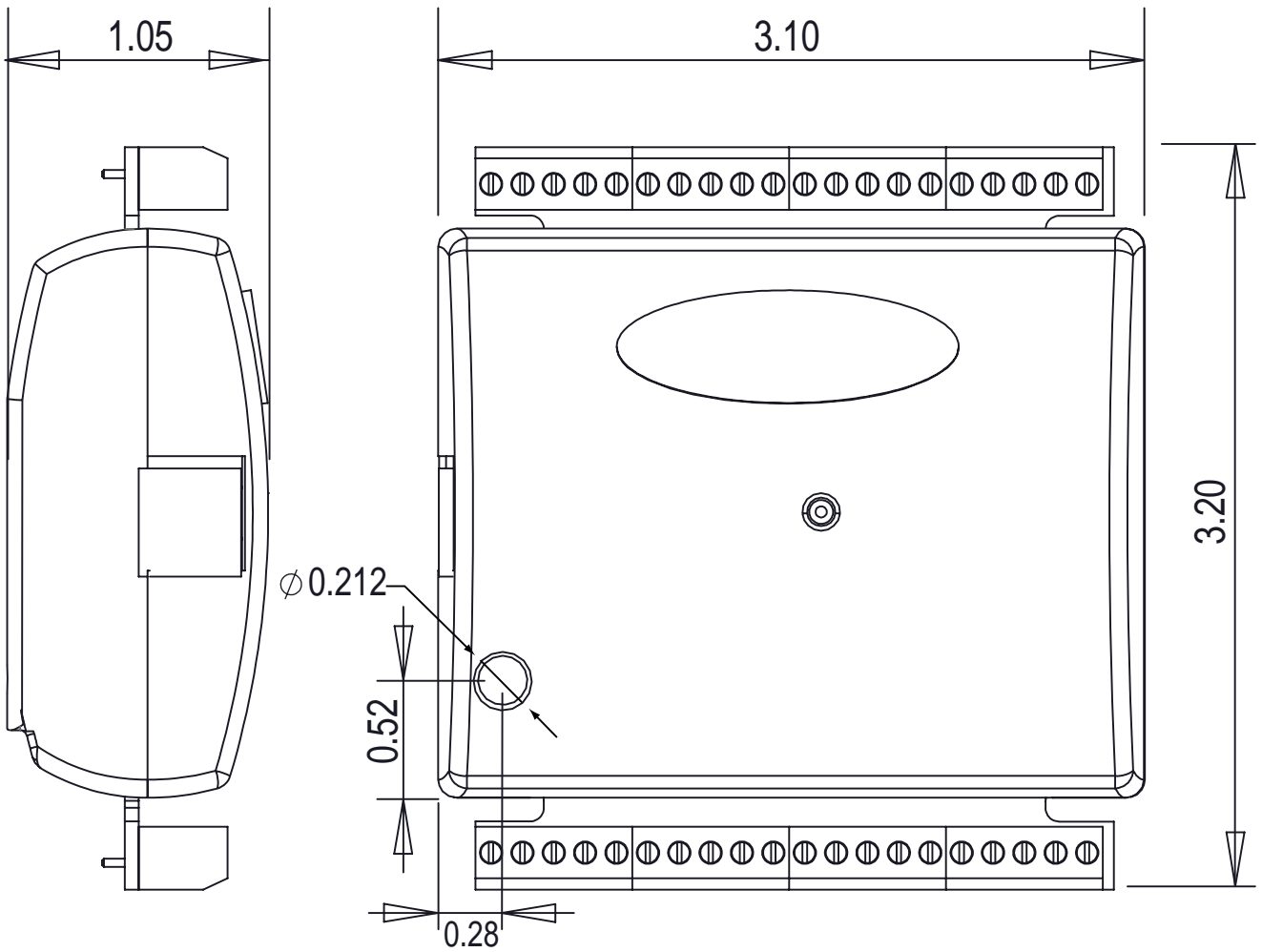


USB- 70Series Mechanical Drawings

The USB- 70Series includes the following devices:

- USB- 70
- USB- 70 h , USB- 70 h -OEM

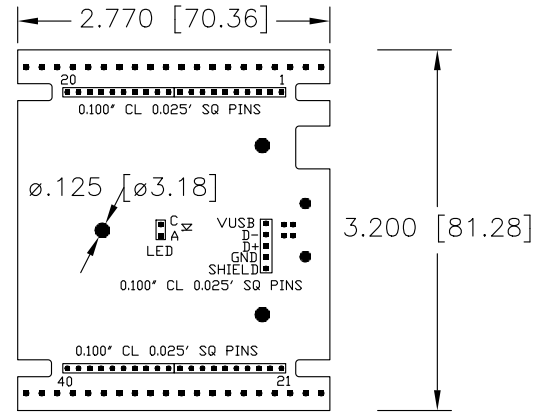
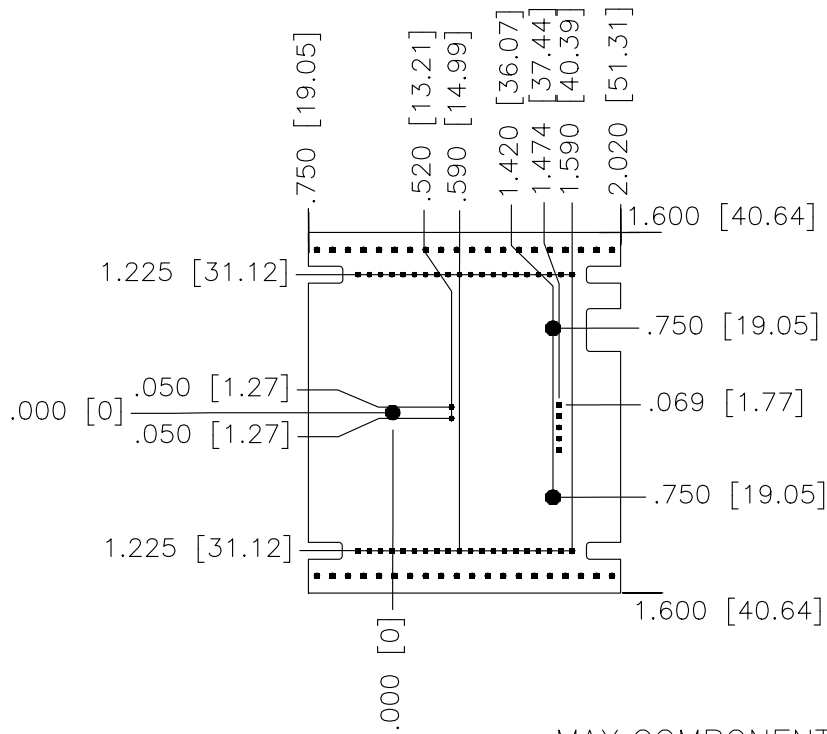
Standard version



Standard version housing

o

OEM version



MAX.COMPONENT HEIGHT;
 TOP 0.545"
 BOTTOM 0.125"

o

OEM version circuit board