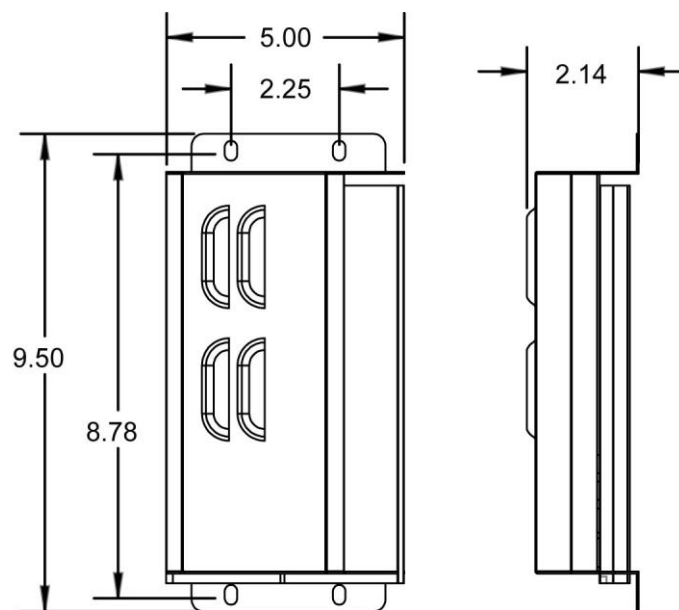


**Circuit board dimensions**



**Enclosure dimensions**