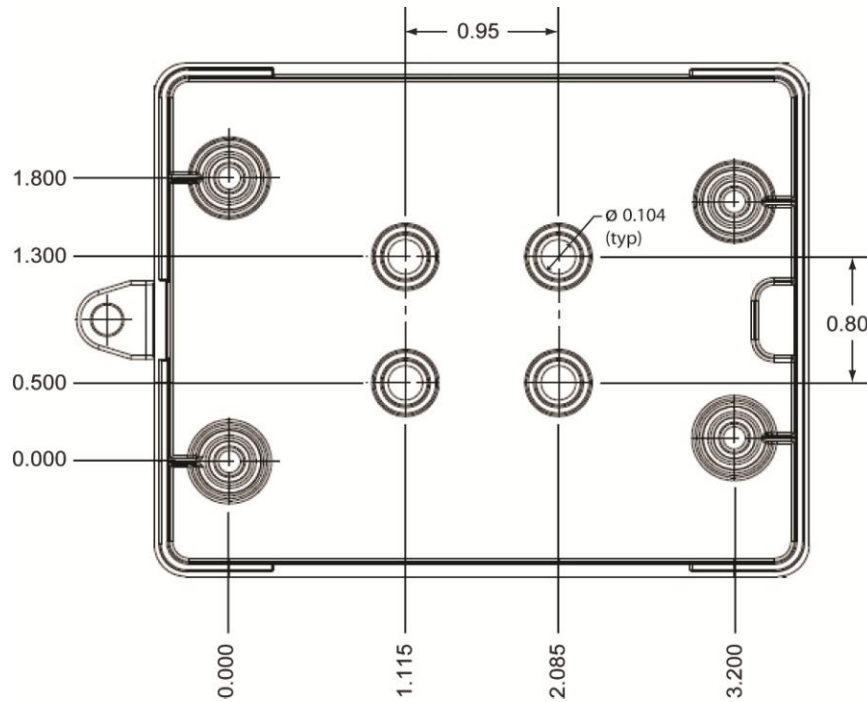
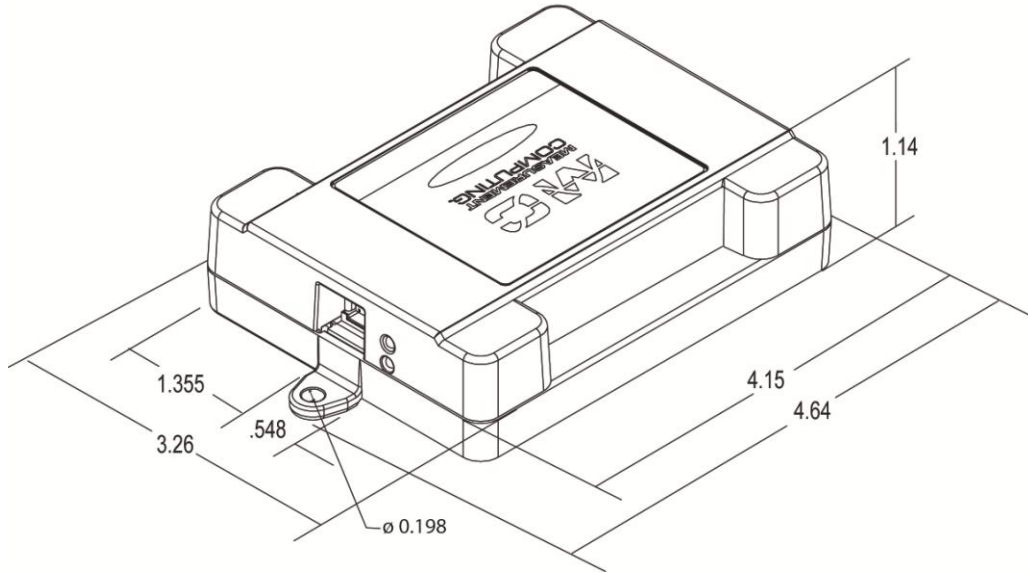


USB-200 Series Mechanical Drawings

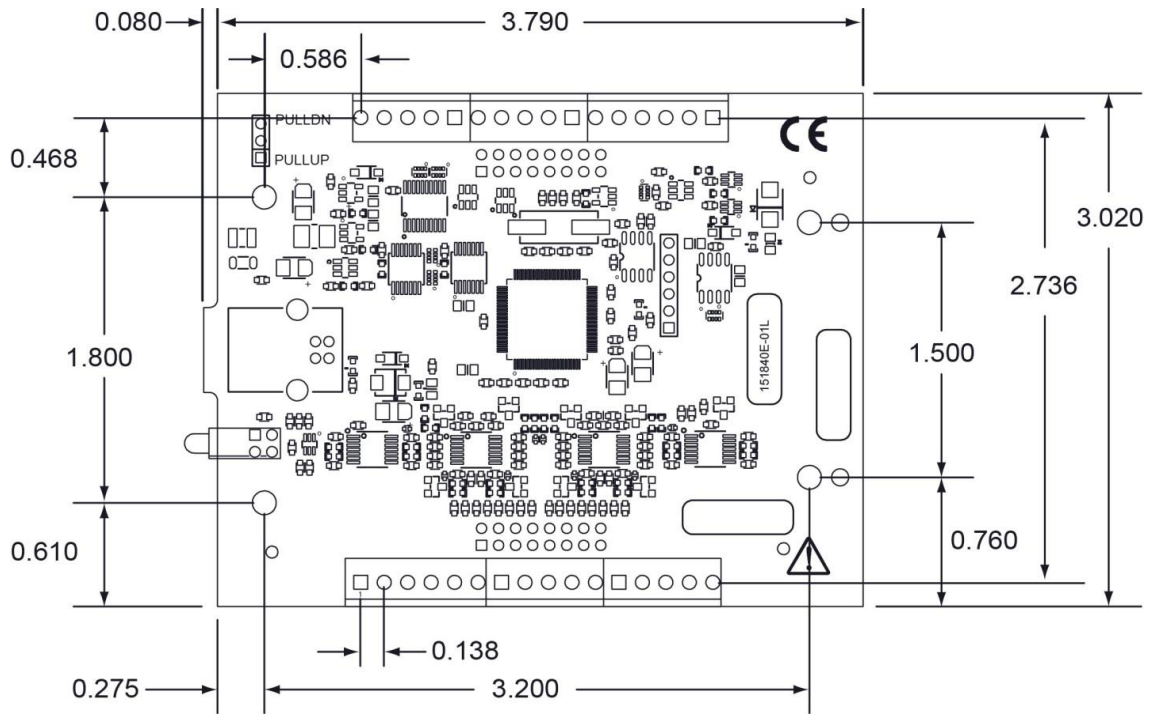
The USB-200 Series includes the following devices:

- USB-201, USB-201-OEM
- USB-202, USB-202-OEM
- USB-204, USB-204-OEM
- USB-205, USB-205-OEM

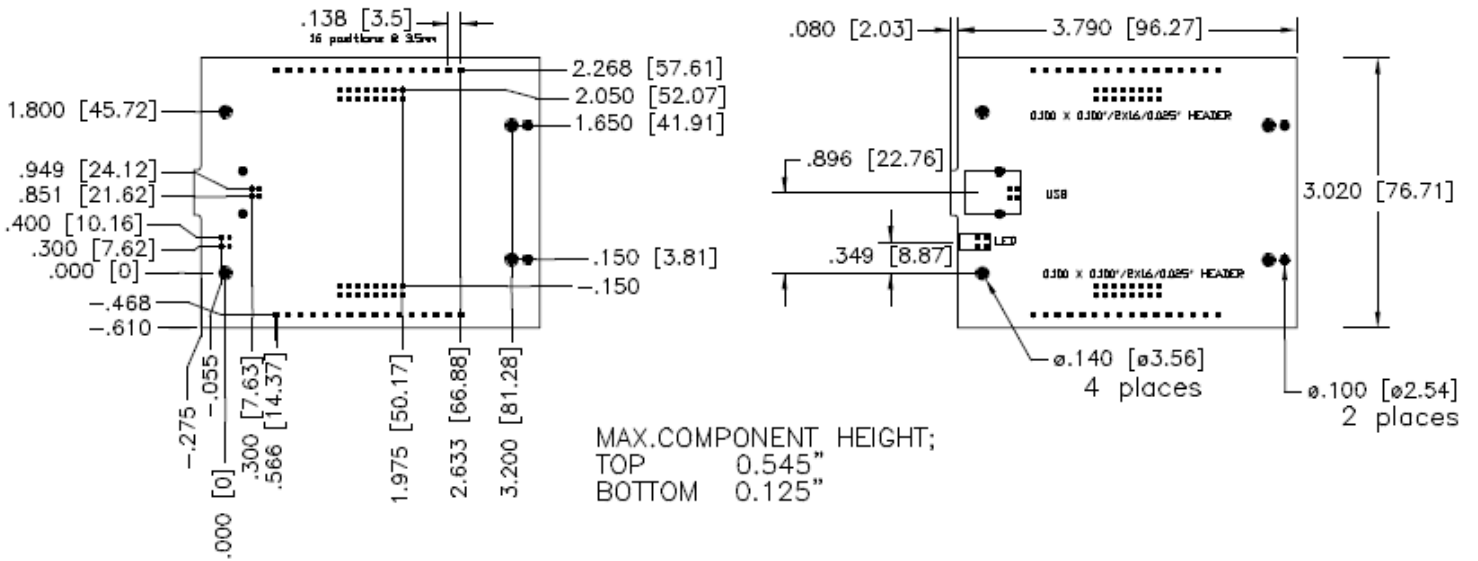
Standard version



Standard version housing



OEM version



OEM version circuit board