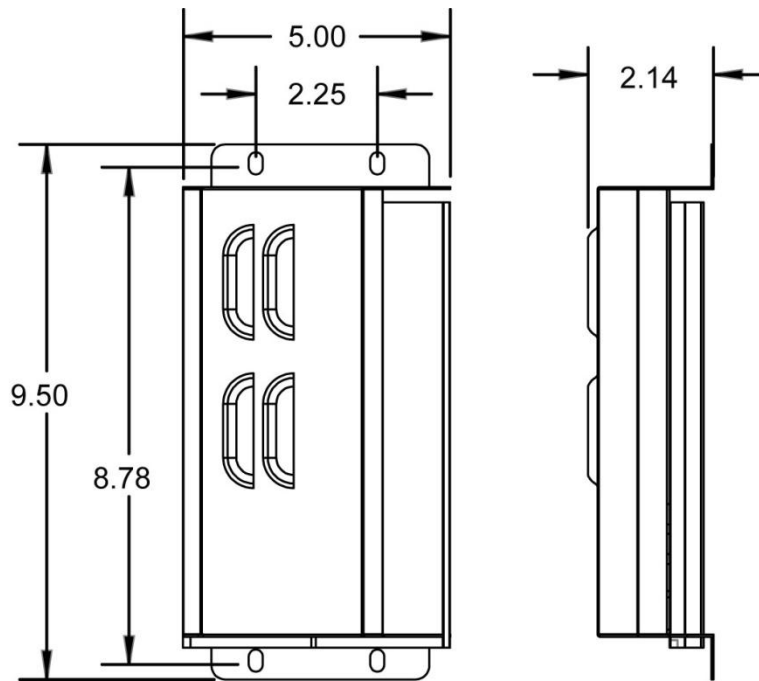


Circuit board dimensions



Enclosure dimensions