

**CB-7013, CB-7013D,
&
CB-7033, CB7033D**

User's Manual



Copyright Sept., 2000. All rights are reserved.

Table of Contents

1. Introduction	4
1.1 More Information	4
1.2 Pin Assignment	5
1.3 Specifications	7
1.4 Block Diagram	8
1.5 Wire Connection.....	9
1.6 Quick Start	10
1.7 Default Setting	10
1.8 Calibration	10
1.9 Configuration Tables	11
2. Command.....	15
2.1 %AANNTTCFF	17
2.2 #**	19
2.3 #AA	20
2.4 #AAN	21
2.5 \$AA0	22
2.6 \$AA1	23
2.7 \$AA2	24
2.8 \$AA4	25
2.9 \$AA8	26
2.10 \$AA8V	27
2.11 \$AA9(Data)	28

2.12 \$AAF	29
2.13 \$AAM	30
2.14 ~AAO(Data)	31
2.15 ~AAEV	32
2.16 ~**	33
2.17 ~AA0	34
2.18 ~AA1	35
2.19 ~AA2	36
2.20 ~AA3EVV	37
3. Application Notes	38
3.1 INIT* pin Operation.....	38
3.2 Module Status	38
3.3 Dual Watchdog Operation	39

1. Introduction

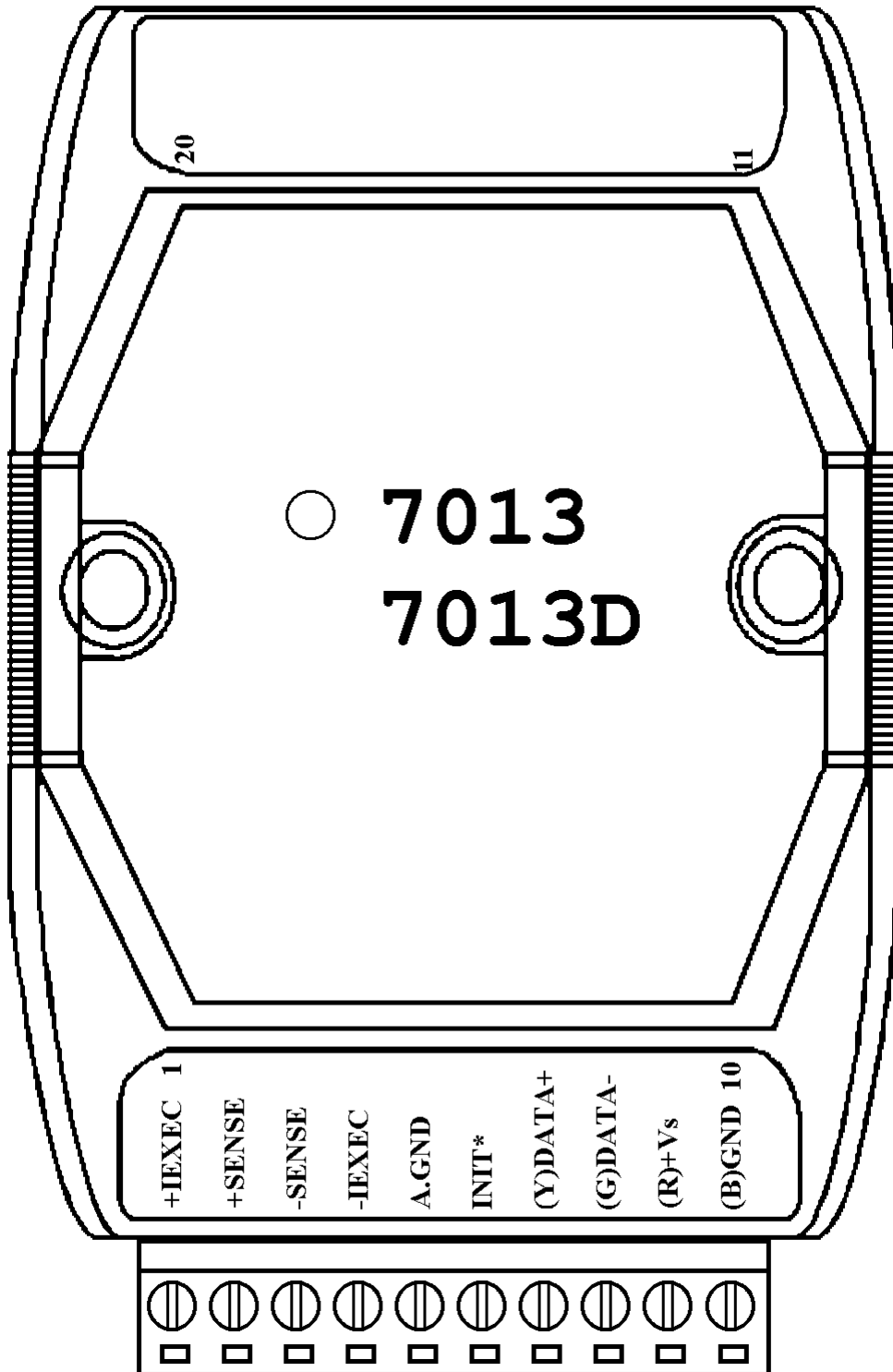
CB-7000 is a family of network data acquisition and control modules. They provide analog-to-digital, digital-to-analog, digital input/output, timer/counter and other functions. These modules can be remote-controlled by a set of commands. Common features of the CB-7013/13D and CB7033/33D are as follows:

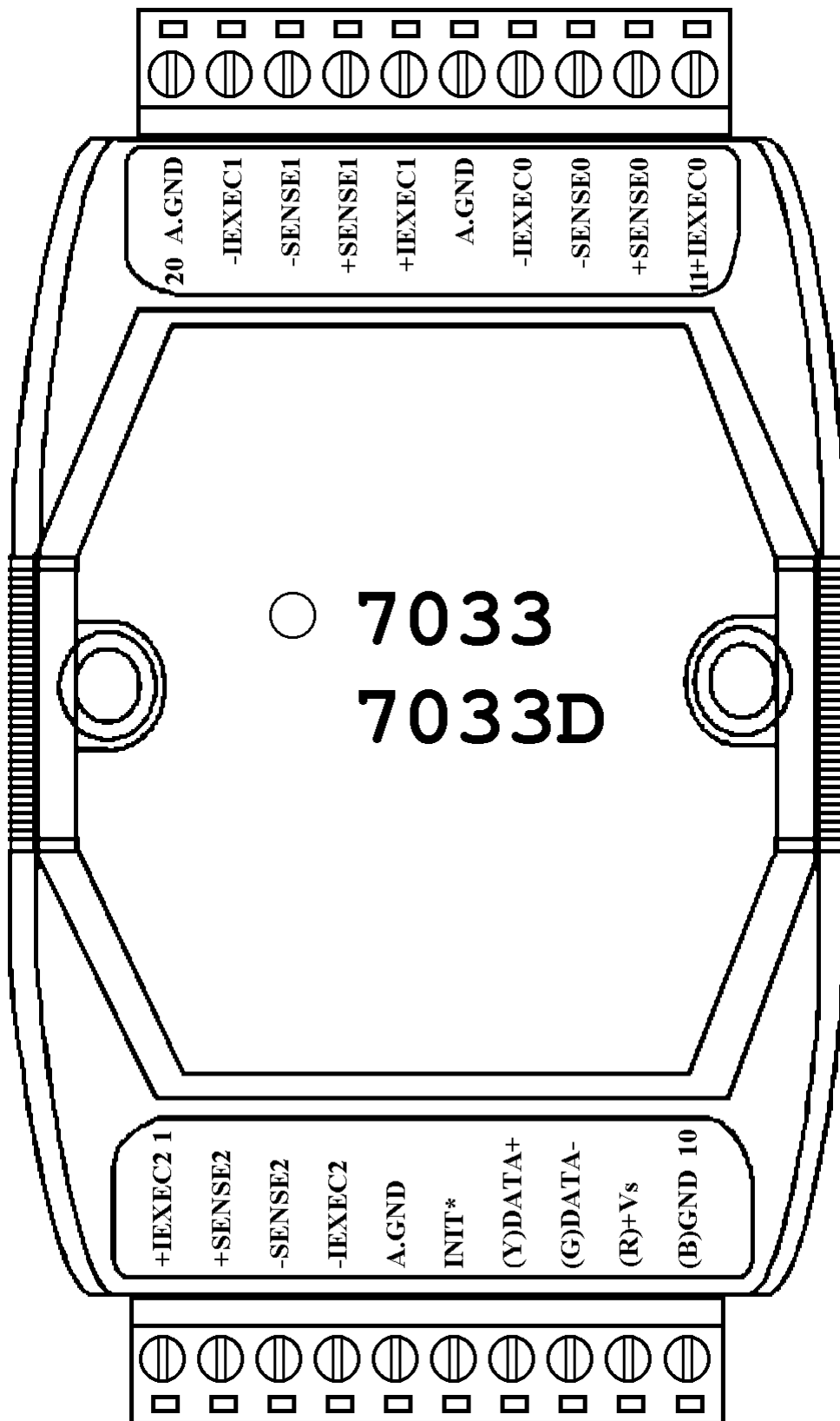
- 24-bits sigma-delta ADC for excellent accuracy
- RTD direct connection
- Software calibration

The CB-7013 is a single-channel RTD input module. The CB-7013D is the CB-7013 with a 4½ digit LED display. The CB-7033 is a three-channel RTD input module. The CB-7033D is the CB-7033 with a 4½ digit LED display.



1.1 Pin Assignment





1.2 Specifications

CB-7013/CB-7013D

Analog Input

InputChannel: 1

InputType:2/3/4-wireRTD

RTDType:

Pt100 $\alpha=0.00385$

Pt100 $\alpha=0.003916$

Ni 120

Pt1000 $\alpha=0.00385$

(version B1.0 or later)

Sampling Rate:

10 Samples/Second

Bandwidth: 5.24 Hz

Accuracy: $\pm 0.05\%$

Zero Drift: $0.5\mu\text{V}/^\circ\text{C}$

Span Drift: $1.0\mu\text{V}/^\circ\text{C}$

CMR@50/60 Hz: 150dB min

NMR@50/60 Hz: 100dB min

Displayed LED

4½ digits (CB-7013D only)

Power Supply

Input: +10 to +30VDC

Consumption:

0.7 W. for CB-7013

1.3 W. for CB-7013D

CB-7033/CB-7033D

Analog Input

Input Channel: 3

Input Type: 2/3/4-wire RTD

RTD Type:

Pt100 $\alpha=0.00385$

Pt100 $\alpha=0.003916$

Ni 120

Pt1000 $\alpha=0.00385$

Sampling Rate:

15/12.5 Samples/Second
with filter at 60/50Hz

Bandwidth: 15.7 Hz

Accuracy: $\pm 0.1\%$

Zero Drift: $0.5\mu\text{V}/^\circ\text{C}$

Span Drift: $1.0\mu\text{V}/^\circ\text{C}$

CMR@50/60 Hz: 150dB min

NMR@50/60 Hz: 100dB min

Displayed LED

4½ digits (CB-7033D only)

Power Supply

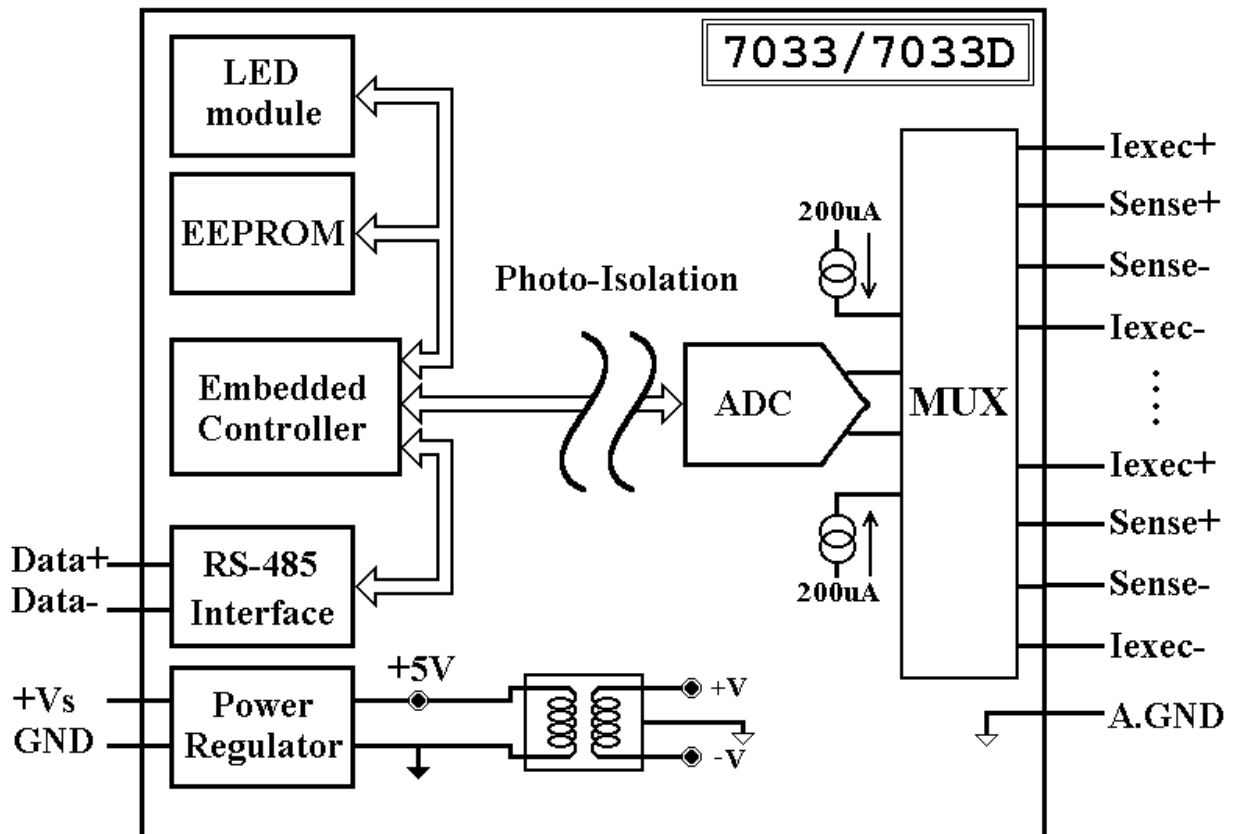
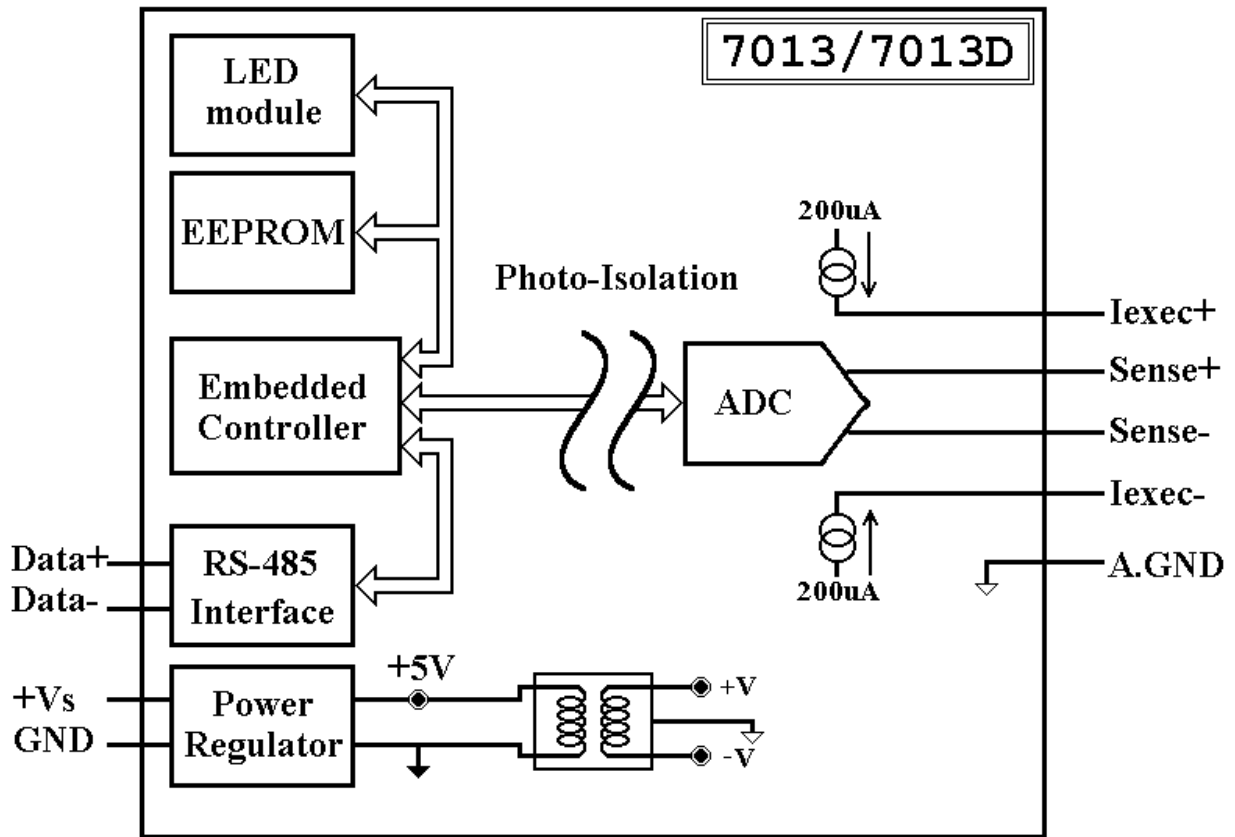
Input: +10 to +30VDC

Consumption:

1.0 W. for CB-7033

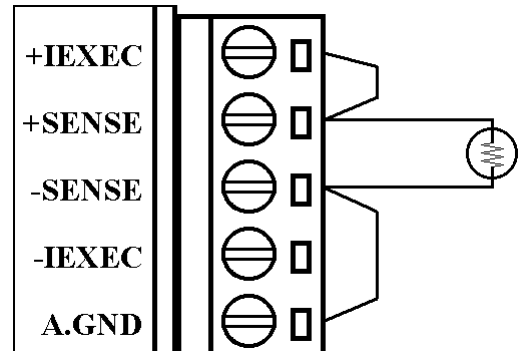
1.6 W. for CB-7033D

1.3 Block Diagram

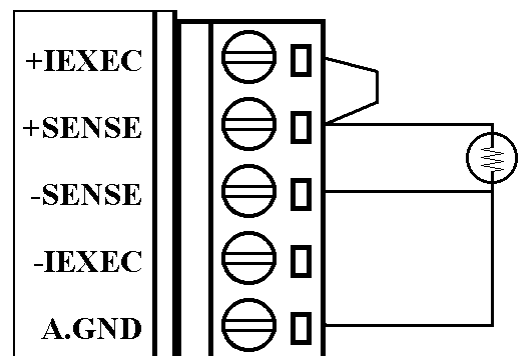
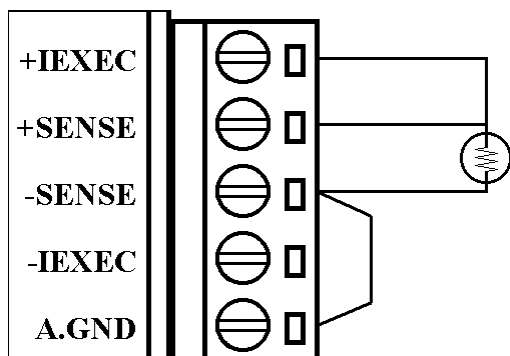
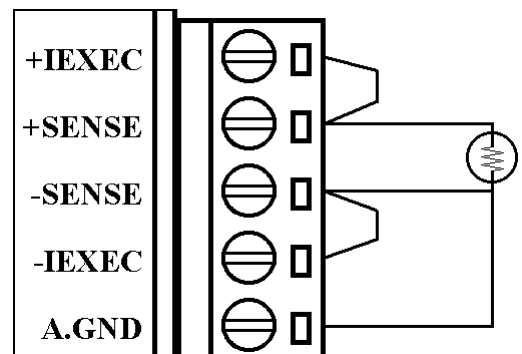


1.4 Wire Connection

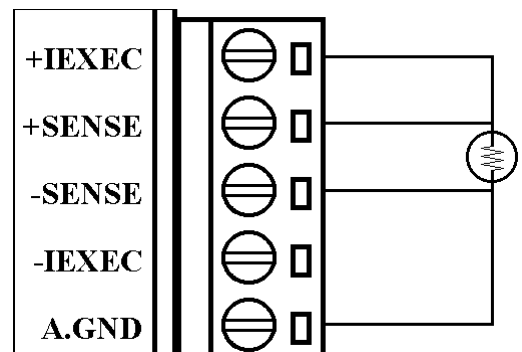
2-wire RTD connection



3-wire RTD connection



4-wire RTD connection



1.5 Quick Start

Refer to “**CB-7000 Bus Converter User Manual**” and “**Getting Start**” for more detail.

1.6 Default Setting

Default setting for CB-7013/13D, CB-7033/33D:

- Address: 01
- RTD Type: Type 20, Pt100, -100°C to 100°C
- Baud rate: 9600 bps
- Checksum disable, engineering unit format
- Filter for 60 Hz rejection

1.7 Calibration

Don't Do Calibration Until You Understand the Procedure.

Calibration Requirement for CB-7013/13D version A1.x or A2.x.

Type	Zero Calibration Resistor	Span Calibration Resistor
20 to 29	55 ohm	375.0 ohm

Calibration Requirement for CB-7013/13D version B1.0 or later and CB-7033/33D.

Type	Zero Calibration Resistor	Span Calibration Resistor
20 to 29	0 ohm	375.0 ohm
2A	0 ohm	3200.0 ohm

Calibration Sequence:

1. Connect calibration resistor to module by 4-wire R TD connection. For CB-7033/33D, connect to channel 0.
2. Warm-Up for 30 minutes.
3. Set Type to 20- Ref. *Sec .2.1*.
4. Enable Calibration - Ref. *Sec. 2.15*.
5. Install Zero Calibration Resistor
6. Perform Zero Calibration Command - Ref. *Sec. 2.6*.
7. Install Span Calibration Resistor
8. Perform Span Calibration Command - Ref. *Sec. 2.5*.
9. Repeat step 4 to step 8 three times.

Note:

1. Step 4 is not needed for CB-7013/13D, version A1.x or A2.x.
2. Same for type 2A only different for set different type (step 3), and install different Zero/Span Calibration Resistor (step 5, 7).

1.8 Configuration Tables

Code	Baudrate
03	1200
04	2400
05	4800
06	9600

Code	Baudrate
07	19200
08	38400
09	57600
0A	115200

Configuration Table of CB-7013/13D, CB-7033/33D

Type Code	RTD Type	Temperature Range
20	Platinum 100, $\alpha=0.00385$	-100 to 100
21	Platinum 100, $\alpha=0.00385$	0 to 100
22	Platinum 100, $\alpha=0.00385$	0 to 200
23	Platinum 100, $\alpha=0.00385$	0 to 600
24	Platinum 100, $\alpha=0.003916$	-100 to 100
25	Platinum 100, $\alpha=0.003916$	0 to 100
26	Platinum 100, $\alpha=0.003916$	0 to 200
27	Platinum 100, $\alpha=0.003916$	0 to 600
28	Nickel 120	-80 to 100
29	Nickel 120	0 to 100
2A	Platinum 1000, $\alpha=0.00385$	-200 to 600

Baud rate Setting (CC)

RTD Type Setting (TT)

7	6	5	4	3	2	1	0
*1	*2	0	0	0	0	*3	

Note: Type 2A is only for CB-7013/13D version B1.0 or later and CB-7033/33D.

Data Format Setting (FF)

*1: Filter Setting 0 = 60 Hz rejection
 1 = 50 Hz rejection

*2: Checksum Bit: 0 = Disable, 1 = Enable

*3: 00 = Engineering Unit Format

01 = Percent Format

Type Code	RTD Type	Data Format	+F.S.	-F.S.
20	Platinum 100 $\alpha=0.00385$ -100 to 100 degree Celsius	Engineer Unit	+100.00	-100.00
		% of FSR	+100.00	-100.00
		2's complement HEX	7FFF	8000
		Ohm	+138.50	+060.60
21	Platinum 100 $\alpha=0.00385$ 0 to 100 degree Celsius	Engineer Unit	+100.00	+000.00
		% of FSR	+100.00	+000.00
		2's complement HEX	7FFF	0000
		Ohm	+138.50	+100.00
22	Platinum 100 $\alpha=0.00385$ 0 to 200 degree Celsius	Engineer Unit	+200.00	+000.00
		% of FSR	+100.00	+000.00
		2's complement HEX	7FFF	0000
		Ohm	+175.84	+100.00
23	Platinum 100 $\alpha=0.00385$ 0 to 600 degree Celsius	Engineer Unit	+600.00	+000.00
		% of FSR	+100.00	+000.00
		2's complement HEX	7FFF	8000
		Ohm	+313.59	+060.60
24	Platinum 100 $\alpha=0.003916$ -100 to 100 degree Celsius	Engineer Unit	+100.00	-100.00
		% of FSR	+100.00	-100.00
		2's complement HEX	7FFF	8000
		Ohm	+139.16	+060.60
25	Platinum 100 $\alpha=0.003916$ 0 to 100 degree Celsius	Engineer Unit	+100.00	+000.00
		% of FSR	+100.00	+000.00
		2's complement HEX	7FFF	0000
		Ohm	+139.16	+100.00

Type Code	RTD Type	Data Format	+F.S.	-F.S.
26	Platinum 100 $\alpha=0.003916$ 0 to 200 degree Celsius	Engineer Unit	+200.00	+000.00
		% of FSR	+100.00	+000.00
		2's complement HEX	7FFF	0000
		Ohm	+177.13	+100.00
27	Platinum 100 $\alpha=0.003916$ 0 to 600 degree Celsius	Engineer Unit	+600.00	+000.00
		% of FSR	+100.00	+000.00
		2's complement HEX	7FFF	0000
		Ohm	+317.28	+100.00
28	Nickel 120 -80 to 100 degree Celsius	Engineer Unit	+100.00	-080.00
		% of FSR	+100.00	-080.00
		2's complement HEX	7FFF	999A
		Ohm	+200.64	+066.60
29	Nickel 120 0 to 100 degree Celsius	Engineer Unit	+100.00	+000.00
		% of FSR	+100.00	+000.00
		2's complement HEX	7FFF	0000
		Ohm	+200.64	+120.60
2A	Platinum 1000 $\alpha=0.00385$ -200 to 600 degree Celsius	Engineer Unit	+600.00	-200.00
		% of FSR	+100.00	-033.33
		2's complement HEX	7FFF	AAAA
		Ohm	+3137.1	+185.20

10 = 2's Complement HEX Format

	Over Range	Under Range
Engineer's Unit	+9999	-0000
Percent of FSR	+9999	-0000
2's Complement HEX	7FFF	8000

2. Command

Command Format; **(Leading)(Address)(Command)[CHK](cr)**

Response Format: **(Leading)(Address)(Data)[CHK](cr)**

[CHK] 2-character checksum

(cr) end-of-command character, character return (0x0D)

Calculate Checksum:

1. Calculate ASCII sum of all characters of command (or response) string except the character return (cr).
2. Mask the sum of string with 0ffh.

Example:

Command string: \$012(cr)

Sum of string = '\$'+ '0'+ '1'+ '2' = 24h+30h+31h+32h = B7h.

The checksum is B7h, and [CHK] = "B7".

Command string with checksum: \$012B7(cr).

Response string: !01200600(cr).

Sum of string: '!'+ '0'+ '1'+ '2'+ '0'+ '0'+ '6'+ '0'+ '0'
= 21h+30h+31h+32h+30h+30h+36h+30h+30h = 1AAh

The checksum is AAh, and [CHK] = "AA".

Response string with checksum: !01200600AA(cr).

General Command Sets			
Command	Response	Description	Section
%AANNTTCCFF	!AA	Set Module Configuration	<i>Sec.2.1</i>
#**	No Response	Synchronized Sampling	<i>Sec.2.2</i>
#AA	>(Data)	Read Analog Input	<i>Sec.2.3</i>
#AAN	>(Data)	Read Analog Input from channel N	<i>Sec.2.4</i>
\$AA0	!AA	Perform Span Calibration	<i>Sec.2.5</i>
\$AA1	!AA	Perform Zero Calibration	<i>Sec.2.6</i>
\$AA2	!AANNTTCCFF	Read Configuration	<i>Sec.2.7</i>
\$AA4	>AAS(Data)	Read Synchronized Data	<i>Sec.2.8</i>
\$AA8	!AAV	Read LED Configuration	<i>Sec.2.9</i>
\$AA8V	!AA	Set LED Configuration	<i>Sec.2.10</i>
\$AA9(Data)	!AA	Set LED Data	<i>Sec.2.11</i>
\$AAF	!AA(Data)	Read Firmware Version	<i>Sec.2.12</i>
\$AAM	!AA(Data)	Read Module Name	<i>Sec.2.13</i>
~AAO(Data)	!AA	Set Module Name	<i>Sec.2.14</i>
~AAEV	!AA	Enable/Disable Calibration	<i>Sec.2.15</i>

Host Watchdog Command Sets			
Command	Response	Description	Section
~**	No Response	Host OK	<i>Sec.2.16</i>
~AA0	!AASS	Read Module Status	<i>Sec.2.17</i>
~AA1	!AA	Reset Module Status	<i>Sec.2.18</i>
~AA2	!AATT	Read Host Watchdog Timeout Value	<i>Sec.2.19</i>
~AA3ETT	!AA	Set Host Watchdog Timeout Value	<i>Sec.2.20</i>

2.1 %AANNTTCFF

Description: Set module configuration

Syntax: %AANNTTCFF[CHK](cr)

- % A delimiter character.
- AA Address of setting module(00 to FF).
- NN New address for setting module(00 to FF).
- TT New type for setting module (Ref *Sec. 1.9*).
- CC New baud rate for setting module (Ref *Sec. 1.9*). It is needed to short the INIT* to ground while change baud rate. (Ref *Sec. 3.1*).
- FF New data format for setting module (Ref *Sec. 1.9*). It is needed to short the INIT* to ground to change checksum setting (Ref *Sec. 3.1*).

Response: Valid Command: !AA[CHK](cr)

 Invalid Command: ?AA[CHK](cr)

 Syntax error or communication error may get no response.

- ! Delimiter for valid command.
- ? Delimiter for invalid command. While change baudrate or checksum setting without short INIT* to ground, the module will return invalid command.

AA Address of response module(00 to FF)

Example:

Command: %0102200600 Receive: !02

 Change address from 01 to 02, return successful.

Command: %0202200603

Receive: !02

Change data format from 00 to 03, return successful.

Related Command:

Sec. 2.7 \$AA2

Related Topics:

Sec. 1.9 Configuration Tables, Sec. 3.1 INIT pin Operation.*

2.2 #**

Description: Synchronized Sampling

Syntax: #**[CHK](cr)

A delimiter character.

** Synchronized sampling command.

Response: No response

Example:

Command: #** No response

 Send synchronized sampling command.

Command: \$014 Receive: >011+025.123

 First read, get status=1

Command: \$014 Receive: >010+025.123

 Second read, get status=0

Related Command:

Sec. 2.8 \$AA4

Note: The command is for CB-7013/13D only.

2.3 #AA

Description: Read Analog Input

Syntax: #AA[CHK](cr)

Delimiter character

AA Address of reading module(00 to FF)

Response: Valid Command: >(Data)[CHK](cr)

Syntax error or communication error may get no response.

> Delimiter for valid command.

(Data) Analog input value, reference *Sec. 1.9* for its format

While using #AA command to CB-7033/33D, the data is the combination for each channel respectively

Example:

Command: #01 Receive: >+026.35

Read address 01, get data successfully

Command: #02 Receive: >4C53

Read address 02, get data in HEX format successfully

Command: #03 Receive: >-0000

Read address 03, get data underrange.

Command: #04 Receive: >+025.12+054.12+150.12

Read address 04, is I7033/I7033D, get 3 channel data.

Related Command:

Sec2.1 %AANNTTCCFF, Sec. 2.7 \$AA2

Related Topics:

Sec. 1.9 Configuration Tables

2.10 \$AA8V

Description: Set LED Configuration

Note: This command is for CB-7013D/CB-7033D only.

Syntax: \$AA8V[CHK](cr)

\$ Delimiter character.

AA Address of setting module (00 to FF).

8 Command for set LED configuration.

V For CB-7013D, 1=Set LED to module, 2=Set LED to host.

For CB-7033D, 0~2=Set LED to show channel 0~2
3=Set LED to host.

Response: Valid Command: !AA[CHK](cr)

Invalid Command: ?AA[CHK](cr)

Syntax error or communication error may get no response.

! Delimiter for valid command.

? Delimiter for invalid command.

AA Address of response module (00 to FF).

Example:

Command: \$0180 Receive: !01

Set address 01 LED to 0, return successful

Command: \$0281 Receive: !02

Set address 02 LED to 1, return successful

Related Command:

Sec. 2.9 \$AA8, Sec. 2.11 \$AA9(Data)

2.11 \$AA9(Data)

Description: Set LED Data

Note: The command is for CB-7013D/33D only.

Syntax: \$AA9(Data)[CHK](cr)

\$ Delimiter character

AA Address of setting module (00 to FF)

9 Command for set LED data

(Data) Data for display on the LED, from -19999. to +19999.

The data needs a sign, five digits and a decimal point.

Response: Valid Command: !AA[CHK](cr)

Invalid Command: ?AA[CHK](cr)

Syntax error or communication error may get no response.

! Delimiter for valid command.

? Delimiter for invalid command or LED not set to host control.

AA Address of response module (00 to FF)

Example:

Command: \$019+123.45 Receive: !01

Send address 01 LED data +123.45, return successful

Command: \$029+512.34 Receive: ?02

Send address 02, LED data +512.34. Return indicates the LED is not in the host mode.

Related Command:

Sec. 2.9 \$AA8, Sec. 2.10 \$AA8V

2.13 \$AAM

Description: Read Module Name

Syntax: \$AAM[CHK](cr)

\$ Delimiter character

AA Address of reading module (00 to FF)

M Command for read module name

Response: Valid Command: !AA(Data)[CHK](cr)

Invalid Command: ?AA[CHK](cr)

Syntax error or communication error may get no response.

! Delimiter for valid command.

? Delimiter for invalid command.

AA Address of response module (00 to FF)

(Data) Name of module.

Example:

Command: \$01M Receive: !017013

Read address 01 module name, returns name 7013.

Command: \$03M Receive: !037033D

Read address 03 module name, returns name 7033D.

Related Command:

Sec. 2.14 ~AAO(Data)

2.14 ~AAO(Data)

Description: Set Module Name

Syntax: ~AAO(Data)[CHK](cr)

~ Delimiter character
AA Address of setting module (00 to FF)
O Command for set module name
(Data) New name for module, maximum six characters

Response: Valid Command: !AA[CHK](cr)

 Invalid Command: ?AA[CHK](cr)

 Syntax error or communication error may get no re-
 sponse.

! Delimiter for valid command.

? Delimiter for invalid command.

AA Address of response module (00 to FF).

Example:

Command: ~01O7013 Receive: !01

 Set address 01 module name to 7013, returns successful.

Command: \$01M Receive: !017013

 Read address 01 module name, returns 7013.

Related Command:

Sec. 2.12 \$AAM

2.16 ~**

Description: Host OK.

Host send this command to all modules for send the information “Host OK”.

Syntax: ~**[CHK](cr)

~ delimiter character.

** command for all modules.

Response: No response.

Example:

Command: ~** No response

Send Host OK to all modules.

Related Command:

Sec. 2.17 ~AA0, Sec. 2.18 ~AA1, Sec. 2.19 ~AA2, Sec. 2.20 ~AA3Evv

Related Topic:

Sec. 3.2, Module Status; Sec. 3.3, Dual Watchdog Operation

2.20 ~AA3E VV

Description: Set Host Watchdog Time-out Value

Syntax: ~AA3E VV[CHK](cr)

- ~ Delimiter character.
- AA Address of setting module (00 to FF).
- 3 command for set host watchdog time-out value.
- E 1=Enable/0=Disable host watchdog.
- VV Time-out value, from 01 to FF, each for 0.1 second.

Response: Valid Command: !AA[CHK](cr)

Invalid Command: ?AA[CHK](cr)

Syntax error or communication error may get no response.

! Delimiter for valid command.

? Delimiter for invalid command.

AA Address of response module (00 to FF).

Example:

Command: ~013164 Receive: !01

Set address 01 enables host watchdog and time-out value is set to 64 (10.0 seconds); returns successful.

Command: ~012 Receive: !0164

Read address 01 host watchdog time-out value. Return 64, the time-out value is 10.0 seconds.

Related Command:

*Sec. 2.16 ~**, Sec. 2.17 ~AA0, Sec. 2.18 ~AA1, Sec. 2.19 ~AA2*

Related Topic:

Sec. 3.2 Module Status; Sec. 3.3, Dual Watchdog Operation

3. Application Note

3.1 INIT* pin Operation

Each CB-7000 module has a build-in EEPROM to store configuration information such as address, type, baud rate, and other information. Sometimes, a user may forget the configuration of the module. Therefore, the CB-7000 modules have a special mode named “**INIT mode**”, to help user to resolve the problem. The “**INIT mode**” is setting as **Address=00, baud rate=9600 bps, no checksum**

To enable INIT mode, do the following steps:

Step 1. Power-off the module.

Step 2. Connect the INIT* pin to the GND pin.

Step 3. Turn power on.

Step 4. Send command \$002(cr) at 9600 bps to read the configuration stored in the module’s EEPROM.

Refer to “**7000 Bus Converter User Manual**” *Sec. 5.1* and “**Getting Started**” for more information.

3.2 Module Status

Power-On Reset or **Module Watchdog Reset** will put all outputs to **Power-On Value**. And the module may accept the host’s command to change the output value.

Host Watchdog Time-out will cause all digital outputs to go to their **Safe Value**. The module’s status (read by command ~AA0) will be 04, and the output command will be ignored.

3.3 Dual Watchdog Operation

Dual Watchdog = Module Watchdog + Host Watchdog

The Module Watchdog is a hardware reset circuit to monitor the module's operating status. While working in harsh or noisy environment, the module may go down by the external noise signal. The circuit may let the module to work continues and never halt.

The Host Watchdog is a software function to monitor the host's operating status. Its purpose is to detect a network/communication problem or host halt. When a time-out occurs, the module changes all outputs to the safe state to prevent possible dangerous problems of a controlled unit/process.

The CB-7000 module with Dual Watchdog makes the control system more reliable and stable.

For your notes.

For your notes.

For your notes.

EC Declaration of Conformity

We, **Measurement Computing Corporation**, declare under sole responsibility that the product:

CB-7013 / CB-7013D, RTD Input Modules
CB-7033 / CB-7033D

Part Number	Description
-------------	-------------

to which this declaration relates, meets the essential requirements, is in conformity with, and CE marking has been applied according to the relevant EC Directives listed below using the relevant section of the following EC standards and other normative documents:

EU EMC Directive 89/336/EEC: Essential requirements relating to electromagnetic compatibility.

EU 55022 Class B: Limits and methods of measurements of radio interference characteristics of information technology equipment.

EN 50082-1: EC generic immunity requirements.

IEC 801-2: Electrostatic discharge requirements for industrial process measurement and control equipment.

IEC 801-3: Radiated electromagnetic field requirements for industrial process measurements and control equipment.

IEC 801-4: Electrically fast transients for industrial process measurement and control equipment.

Carl Haapaoja, Director of Quality Assurance

Measurement Computing Corporation
10 Commerce Way
Suite 1008
Norton, Massachusetts 02766
(508) 946-5100
Fax: (508) 946-9500
E-mail: info@mccdaq.com
www.mccdaq.com